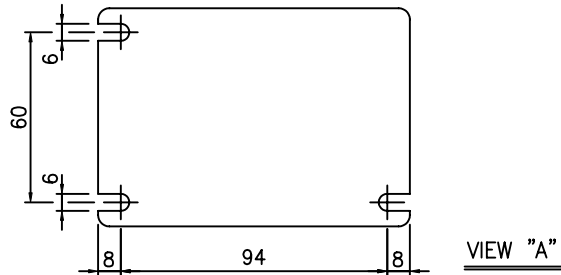
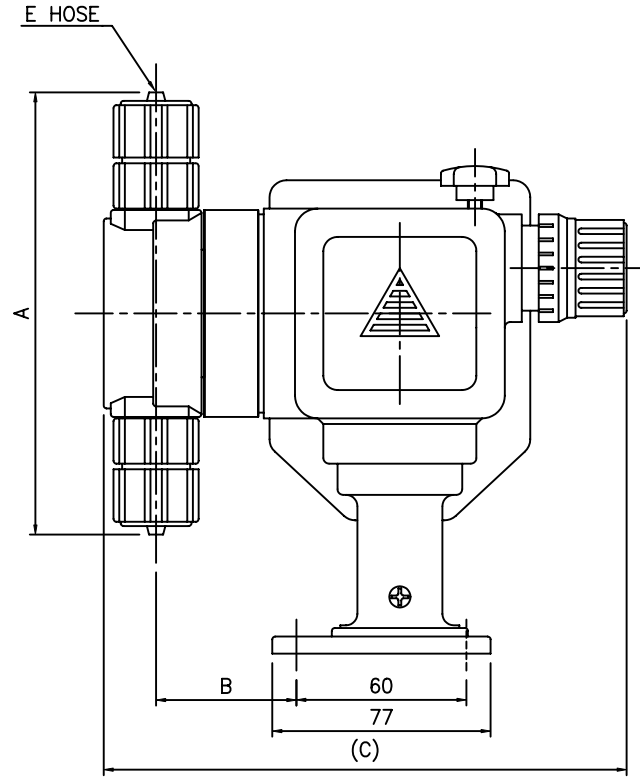
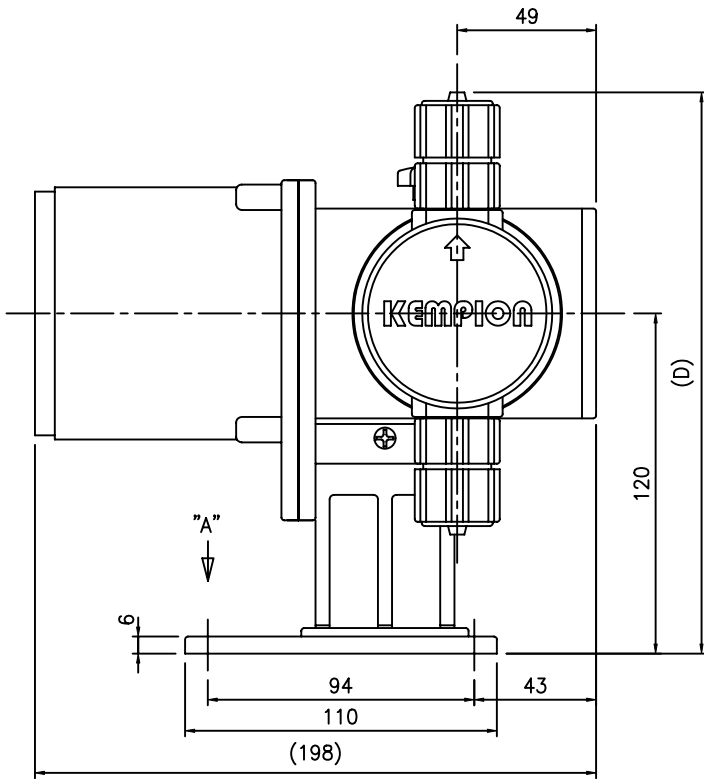


MARK	REVISION DESCRIPTION	DATE	DRAWN	APPROVED
△				
△				



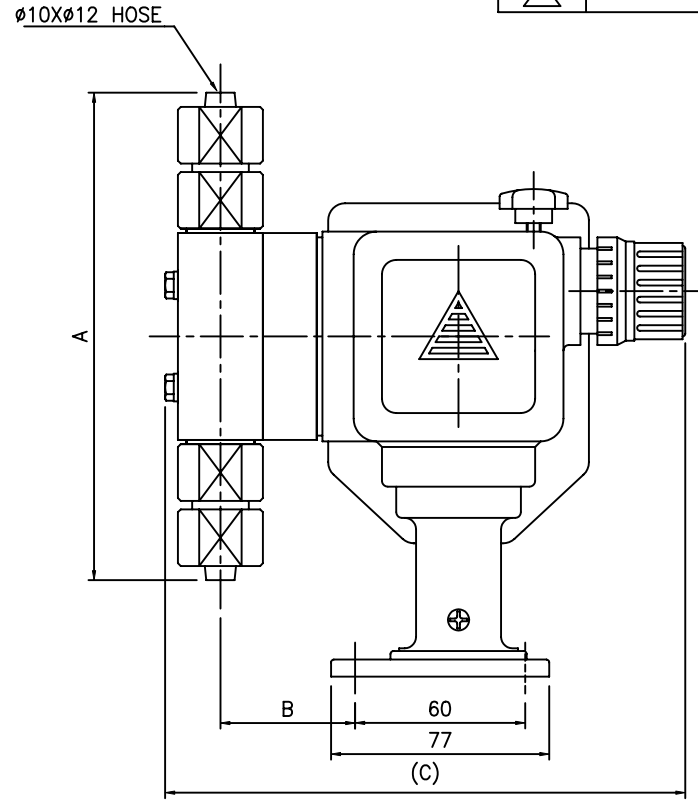
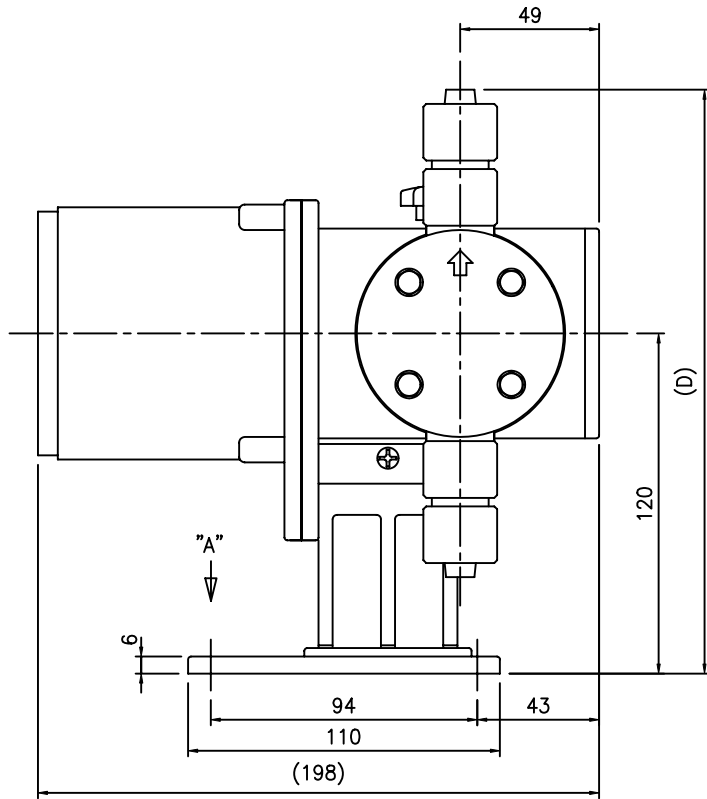
PUMP MODEL	DIMENSIONS					WEIGHT(kg)
	A	B	C	D	E	
AX1-21-P□□	156	49.5	185	198	∅6X∅11	3.4
AX1-21-F□□	178	49.5	185	209	∅10X∅12	3.6
AX1-51-P□□	156	49.5	185	198	∅6X∅11	3.4
AX1-51-F□□	178	49.5	185	209	∅10X∅12	3.6
AX1-12-P□□	156	49.5	185	198	∅6X∅11	3.4
AX1-12-F□□	178	49.5	185	209	∅10X∅12	3.6
AX1-32-P□□	156	48.5	185	198	∅6X∅11	3.4
AX1-32-F□□	178	48.5	185	209	∅10X∅12	3.6

NOTE
1. HIGH VISCOSITY TYPE A:178, D:209, E:∅12X∅18

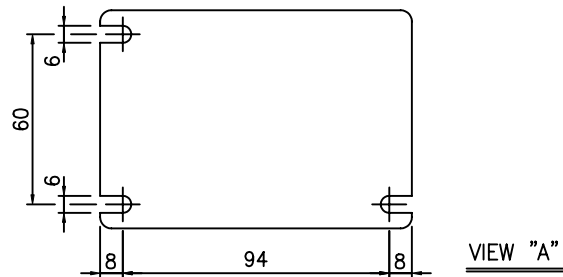
PUMP SPECIFICATIONS (50Hz/60Hz)				
PUMP MODEL	AX1-21	AX1-51	AX1-12	AX1-32
MAXIMUM CAPACITY (ml/min)	20 / 25	40 / 50	90 / 110	300 / 360
MAX.DIS.PRESSURE (kgf/cm ² G)	15	15	10	5
STROKE PER MINUTE (SPM)	57 / 68	114 / 136	114 / 136	114 / 136
MOTOR TYPE	Totally Enclosed Non-Ventilated			
POWER (W)	25			

ITEM NO	NO.	DESCRIPTION	SIZE	MAT'L	Q'TY	REMARK
		소재번호	소재명수	MAT'L DIM	중량	WEIGHT
	FILE NAME	A1ZPH-01	도명TITLE	OUTLINE DRAWING		
	APPROVED		AX1-21~32-Z PUMP(HOSE TYPE)			
	CHECKED			도번 DWG NO 141101		
	DESIGNED					
관련도면	적용품목	DRAWN				
STORAGE NO.	작성부서	DATE				
ORG.DWG	연구개발부	2005.02.22				

MARK	REVISION DESCRIPTION	DATE	DRAWN	APPROVED
△				
△				



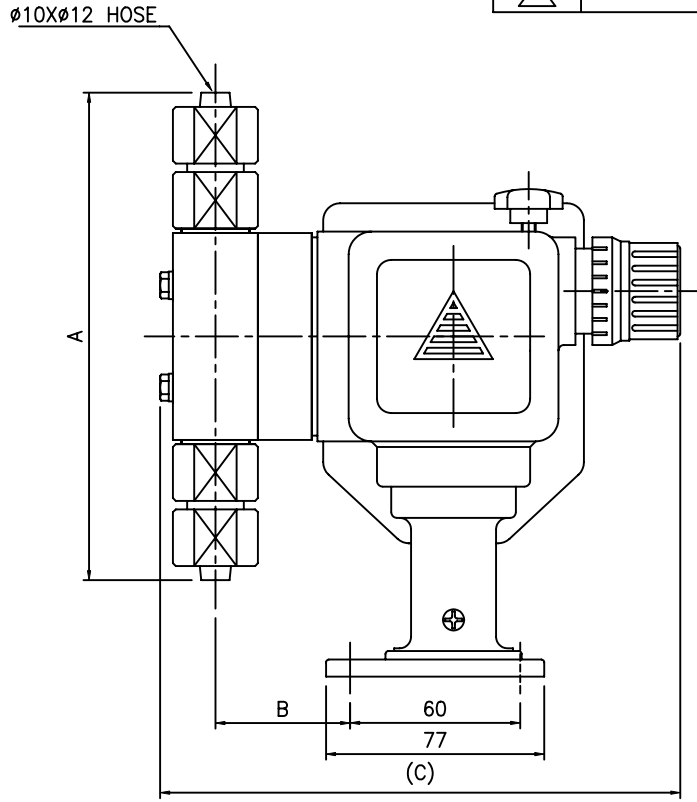
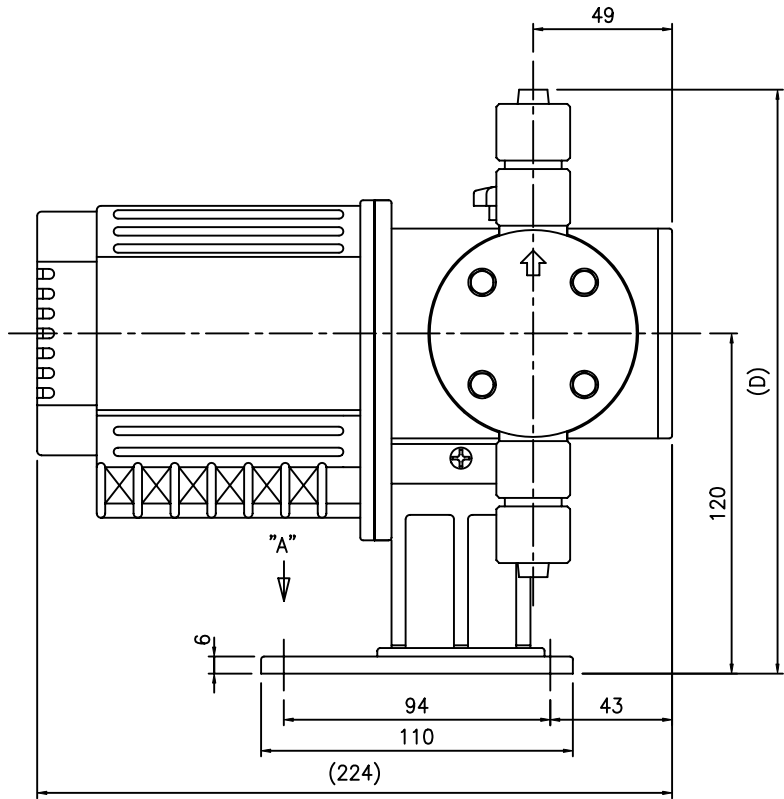
PUMP MODEL	DIMENSIONS (UNIT:mm)				WEIGHT(kg)
	A	B	C	D	
AX1-21-S□□	172	47.5	184	206	4.6
AX1-21-6□□					
AX1-51-S□□	172	47.5	184	206	4.6
AX1-51-6□□					
AX1-12-S□□	172	47.5	184	206	4.6
AX1-12-6□□					
AX1-32-S□□	172	48.5	186	206	4.6
AX1-32-6□□					



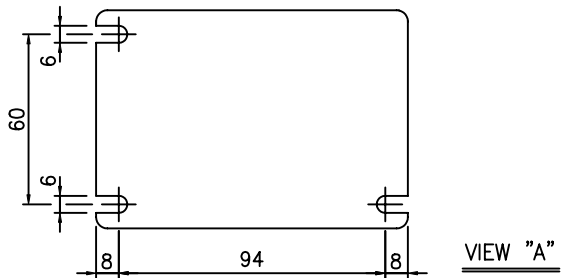
PUMP SPECIFICATIONS (50Hz/60Hz)				
PUMP MODEL	AX1-21	AX1-51	AX1-12	AX1-32
MAXIMUM CAPACITY (ml/min)	20 / 25	40 / 50	90 / 110	300 / 360
MAX.DIS.PRESSURE (kgf/cm ² G)	15	15	10	5
STROKE PER MINUTE (SPM)	57 / 68	114 / 136	114 / 136	114 / 136
MOTOR TYPE	Totally Enclosed Non-Ventilated			
POWER (W)	25			

ITEM NO	NO.	DESCRIPTION	SIZE	MAT'L	Q'TY	REMARK
	자재번호	소재명수	MAT'L DIM	중량	WEIGHT	척도 SCALE N/S(0.5)
	FILE NAME	A1ZSH-01	도명TITLE	OUTLINE DRAWING		
	APPROVED		AX1-21~32-Z PUMP(HOSE TYPE)			
	CHECKED		도번 DWG NO	141151		
	DESIGNED					
관련도면	적용품목	DRAWN				
STORAGE NO.	작성부서	DATE				
ORG.DWG	연구개발부	2005.02.22				

MARK	REVISION DESCRIPTION	DATE	DRAWN	APPROVED
△				
△				



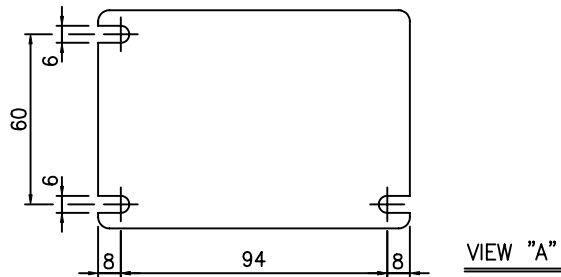
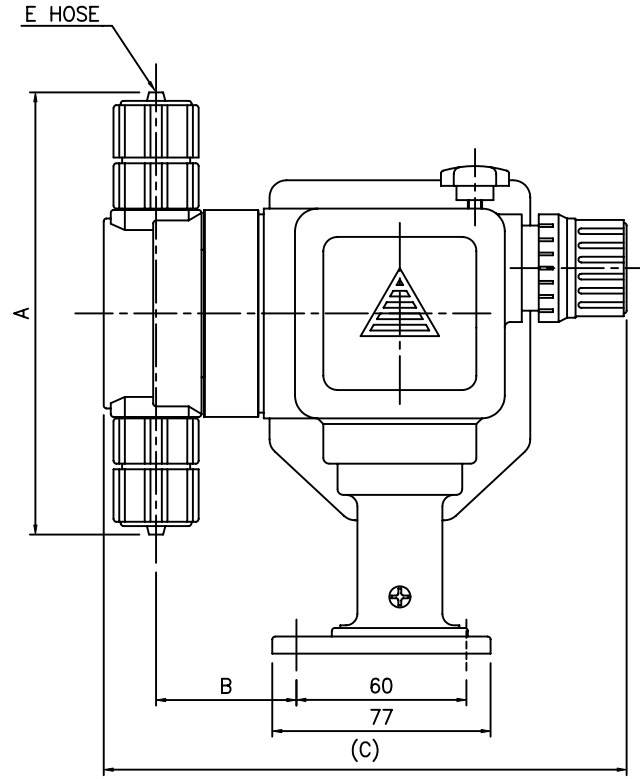
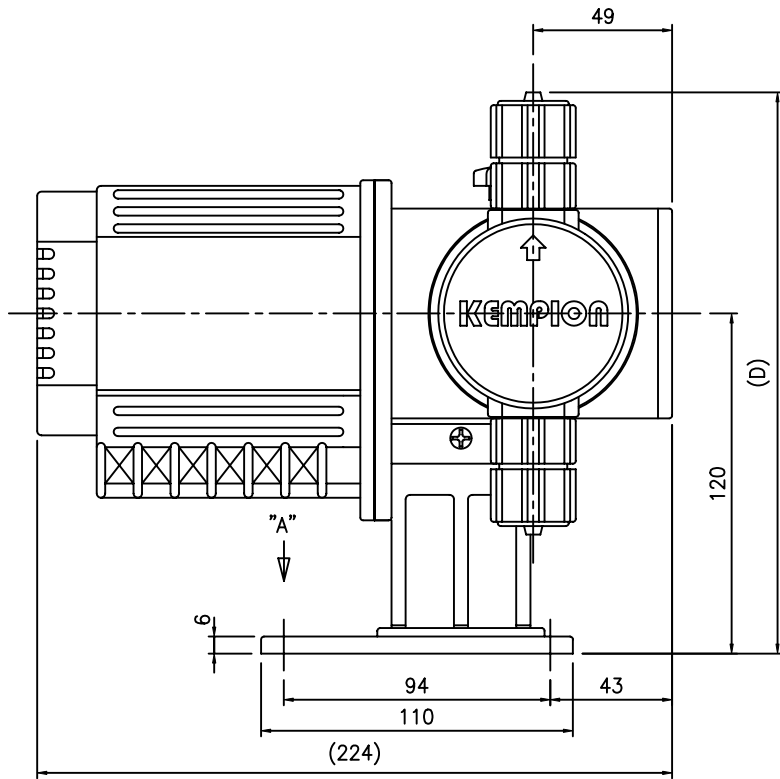
PUMP MODEL	DIMENSIONS (UNIT:mm)				WEIGHT(kg)
	A	B	C	D	
AX1-21-S□□	172	47.5	184	206	4.0
AX1-21-6□□					
AX1-51-S□□	172	47.5	184	206	4.2
AX1-51-6□□					
AX1-12-S□□	172	47.5	184	206	4.2
AX1-12-6□□					
AX1-32-S□□	172	48.5	186	206	4.2
AX1-32-6□□					



PUMP SPECIFICATIONS (50Hz/60Hz)				
PUMP MODEL	AX1-21	AX1-51	AX1-12	AX1-32
MAXIMUM CAPACITY (ml/min)	20 / 25	40 / 50	90 / 110	300 / 360
MAX.DIS.PRESSURE (kgf/cm ² G)	15	15	10	5
STROKE PER MINUTE (SPM)	57 / 68	114 / 136	114 / 136	114 / 136
MOTOR TYPE	Shaded Pole Fan Cooling			
POWER (W)	6	17		

ITEM NO	NO.	DESCRIPTION	SIZE	MAT'L	Q'TY	REMARK
		소재번호	MAT'L DIM	중량	WEIGHT	척도
	FILE NAME	A1KSH-01	도명TITLE OUTLINE DRAWING			
	APPROVED	AX1-21~32-K PUMP(HOSE TYPE)				
	CHECKED	도번 DWG NO 141251				
	DESIGNED					
관련도면	적용품목	DRAWN				
STORAGE NO.	작성부서	DATE	천세산업 주식회사 CHEON SEI IND. CO.,LTD.			
ORG.DWG	연구개발부	2005.02.22				

MARK	REVISION DESCRIPTION	DATE	DRAWN	APPROVED
△				
△				



PUMP MODEL	DIMENSIONS					WEIGHT(kg)
	A	B	C	D	E	
AX1-21-P□□	156	49.5	185	198	∅6X∅11	2.8
AX1-21-F□□	178	49.5	185	209	∅10X∅12	2.9
AX1-51-P□□	156	49.5	185	198	∅6X∅11	3.0
AX1-51-F□□	178	49.5	185	209	∅10X∅12	3.2
AX1-12-P□□	156	49.5	185	198	∅6X∅11	3.0
AX1-12-F□□	178	49.5	185	209	∅10X∅12	3.2
AX1-32-P□□	156	48.5	185	198	∅6X∅11	3.0
AX1-32-F□□	178	48.5	185	209	∅10X∅12	3.2

NOTE
1. HIGH VISCOSITY TYPE A:178, D:209, E:∅12X∅18

PUMP SPECIFICATIONS (50Hz/60Hz)				
PUMP MODEL	AX1-21	AX1-51	AX1-12	AX1-32
MAXIMUM CAPACITY (ml/min)	20 / 25	40 / 50	90 / 110	300 / 360
MAX.DIS.PRESSURE (kgf/cm ² G)	15	15	10	5
STROKE PER MINUTE (SPM)	57 / 68	114 / 136	114 / 136	114 / 136
MOTOR TYPE	Shaded Pole Fan Cooling			
POWER (W)	6	17		

ITEM NO	NO.	DESCRIPTION	SIZE	MAT'L	Q'TY	REMARK
	소재번호	MAT'L DIM	중량	WEIGHT	척도	SCALE N/S(0.5)
	FILE NAME	A1KPH-01	도명TITLE OUTLINE DRAWING			
	APPROVED	AX1-21~32-K PUMP(HOSE TYPE)				
	CHECKED	도번 DWG NO 141201				
관련도면	적용품목	DRAWN				
STORAGE NO.	작성부서	DATE				
ORG.DWG	연구개발부	2005.02.22				