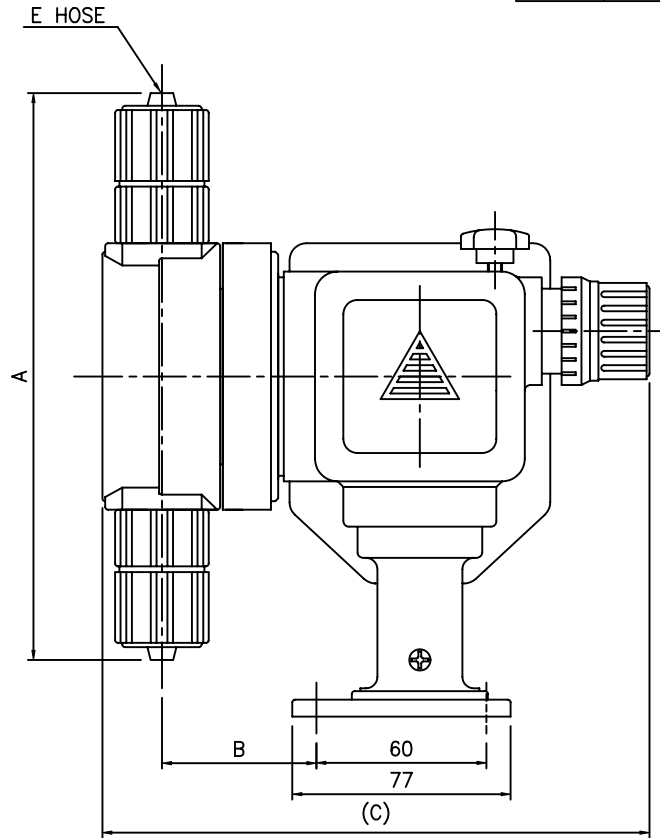
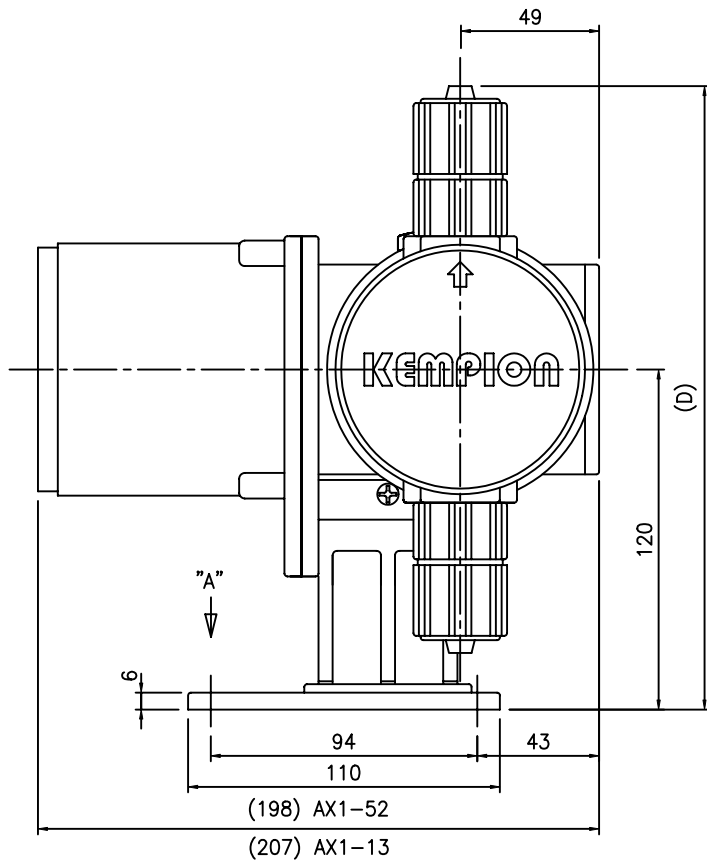
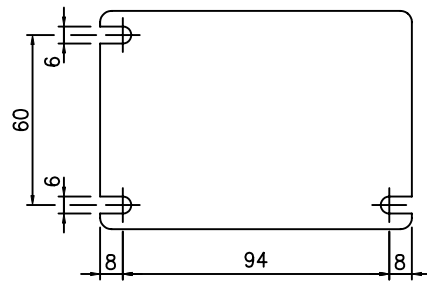


MARK	REVISION DESCRIPTION	DATE	DRAWN	APPROVED
△				
△				
△				



DIMENSIONS						(UNIT:mm)
PUMP MODEL	A	B	C	D	E	WEIGHT(kg)
AX1-52-P□□	198	54.5	193	212	∅12X∅18	3.7
AX1-52-F□□	198	54.5	193	212	∅10X∅12	3.8
AX1-13-P□□	204	54	192	215	∅12X∅18	4.1
AX1-13-F□□	204	54	192	215	∅10X∅12	4.2

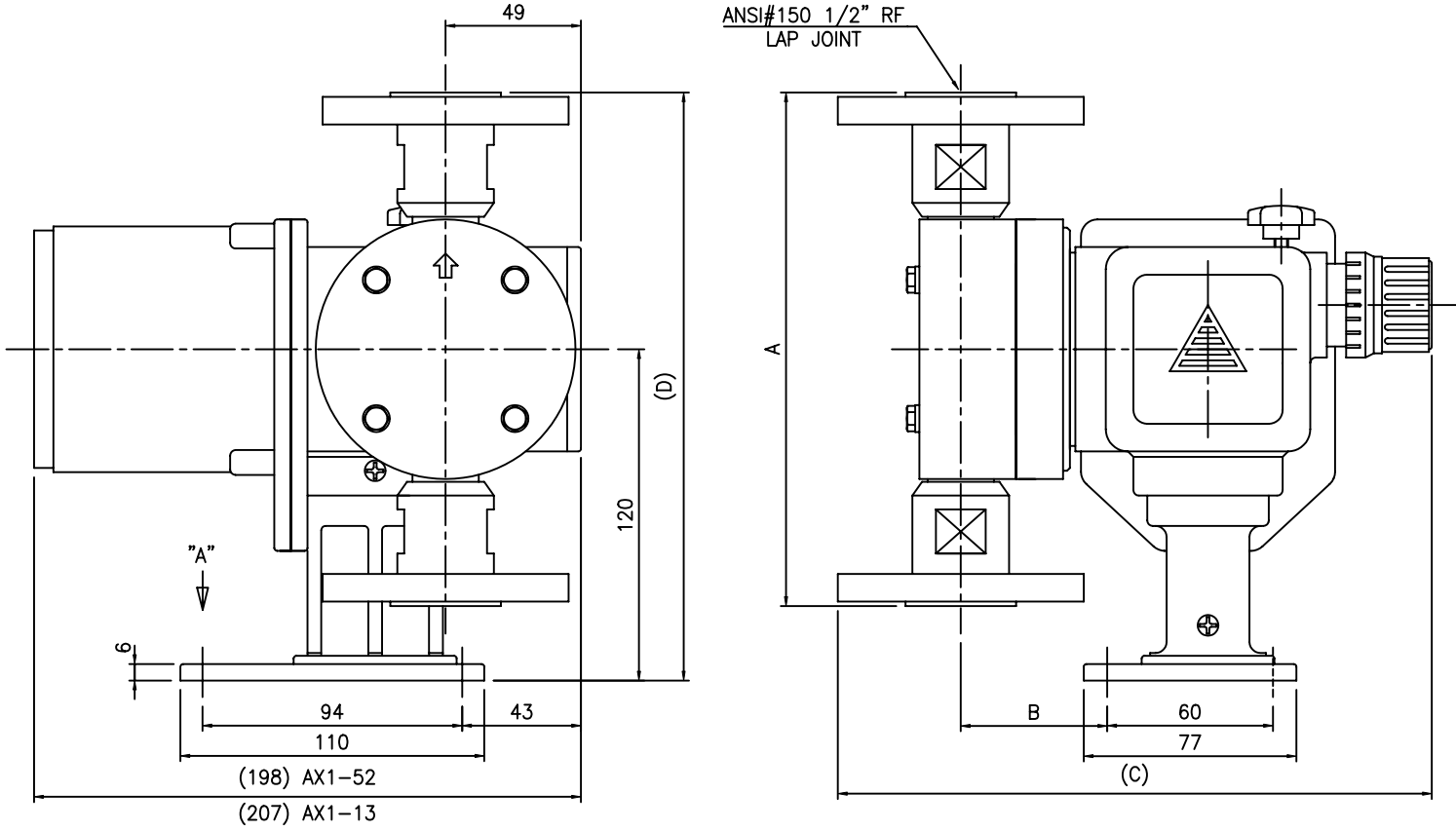


VIEW "A"

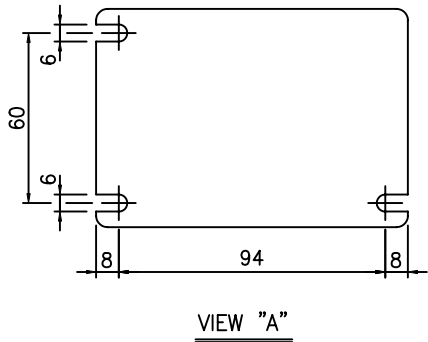
PUMP SPECIFICATIONS (50Hz/60Hz)		
PUMP MODEL	AX1-52	AX1-13
MAXIMUM CAPACITY (ml/min)	460 / 550	1040 / 1250
MAX.DIS.PRESSURE (kgf/cm ² G)	3	3
STROKE PER MINUTE (SPM)	114 / 136	114 / 136
MOTOR TYPE	Totally Enclosed Non-Ventilated	
POWER (W)	25	30

ITEM NO	NO.	DESCRIPTION	SIZE	MAT'L	Q'TY	REMARK
		소재번호	MAT'L DIM	중량	WEIGHT	척도 SCALE N/S(0.5)
		FILE NAME	A1ZPH-02	도명TITLE	OUTLINE DRAWING	
		APPROVED		AX1-52,13-Z PUMP (HOSE TYPE)		
		CHECKED				
		DESIGNED				
		DRAWN				
관련도면	적용품목					
STORAGE NO.		작성부서	DATE			
ORG.DWG		연구개발부	2005.02.22			

MARK	REVISION DESCRIPTION	DATE	DRAWN	APPROVED
△				
△				
△				



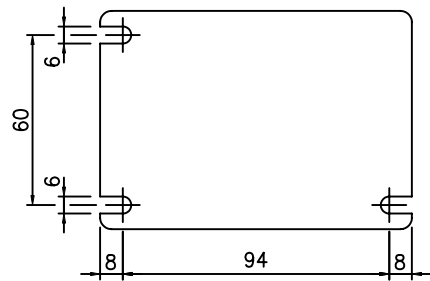
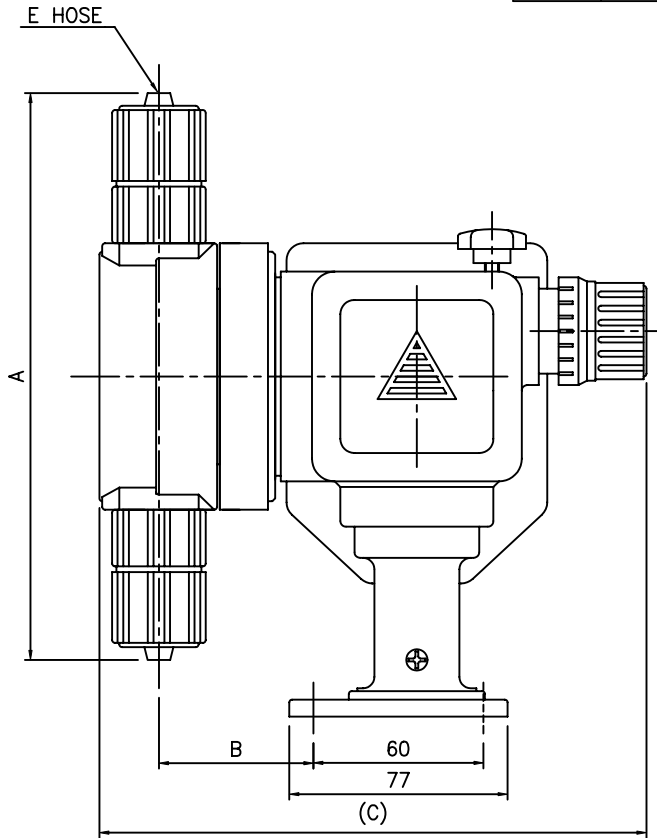
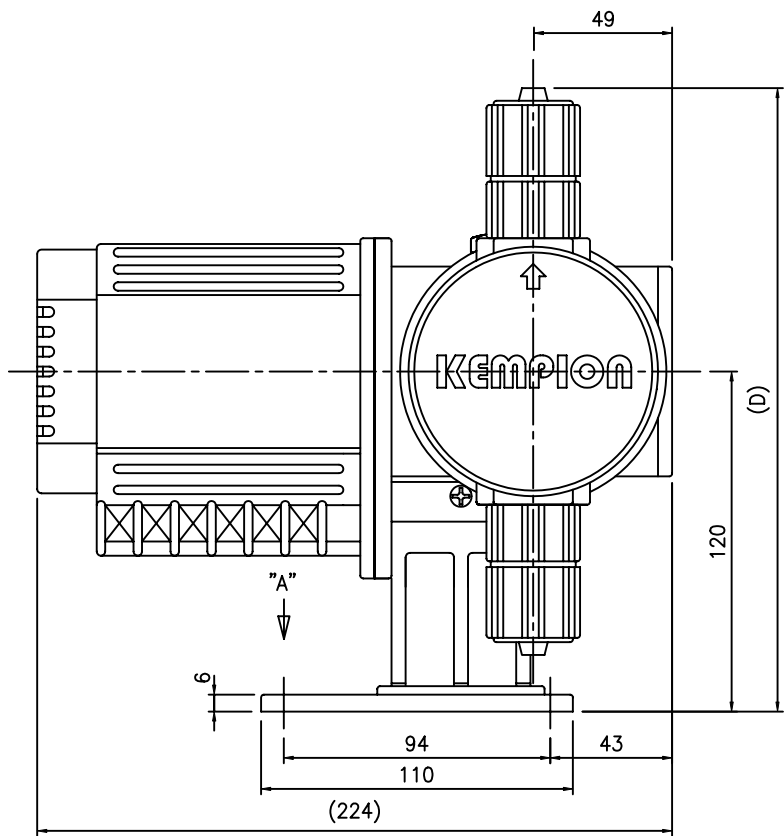
PUMP MODEL	DIMENSIONS (UNIT:mm)				WEIGHT(kg)
	A	B	C	D	
AX1-52-S□□	186	53	215	213	6.8
AX1-52-6□□					
AX1-13-S□□	192	54	216	216	7.4
AX1-13-6□□					



PUMP SPECIFICATIONS (50Hz/60Hz)		
PUMP MODEL	AX1-52	AX1-13
MAXIMUM CAPACITY (ml/min)	460 / 550	1040 / 1250
MAX.DIS.PRESSURE (kgf/cm ² G)	3	3
STROKE PER MINUTE (SPM)	114 / 136	114 / 136
MOTOR TYPE	Totally Enclosed Non-Ventilated	
POWER (W)	25	30

ITEM NO	NO.	DESCRIPTION	SIZE	MAT'L	Q'TY	REMARK
	소재번호	MAT'L DIM	중량	WEIGHT	척도	SCALE N/S(0.5)
	FILE NAME	A1ZSA-02	도명 TITLE OUTLINE DRAWING			
	APPROVED		AX1-52,13-Z PUMP(FLANGE TYPE)			
	CHECKED		도번 DWG NO 141172			
관련도면	적용품목	DRAWN				
STORAGE NO.	작성부서	DATE				
ORG.DWG	연구개발부	2005.02.22				

MARK	REVISION DESCRIPTION	DATE	DRAWN	APPROVED
△				
△				
△				



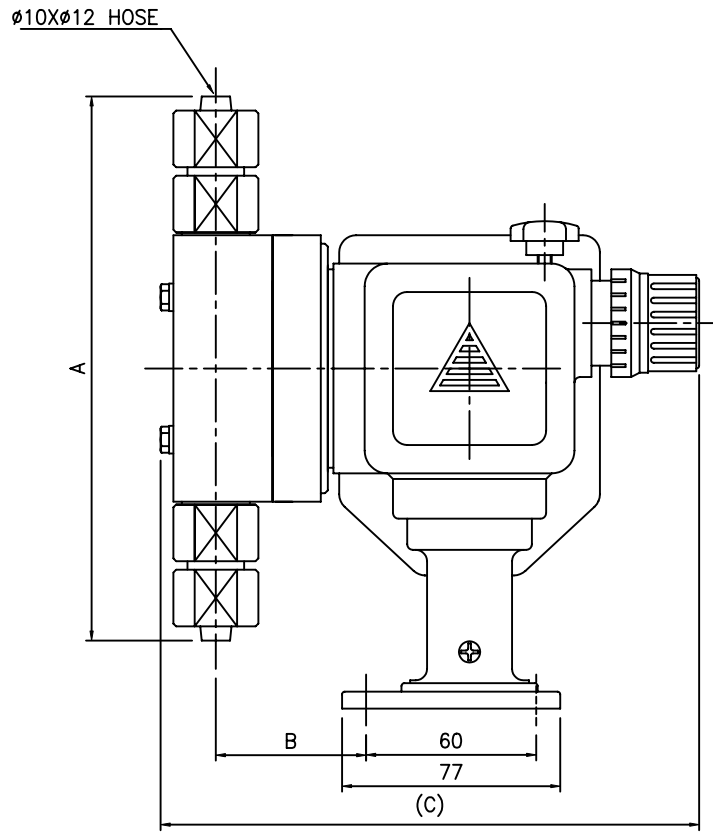
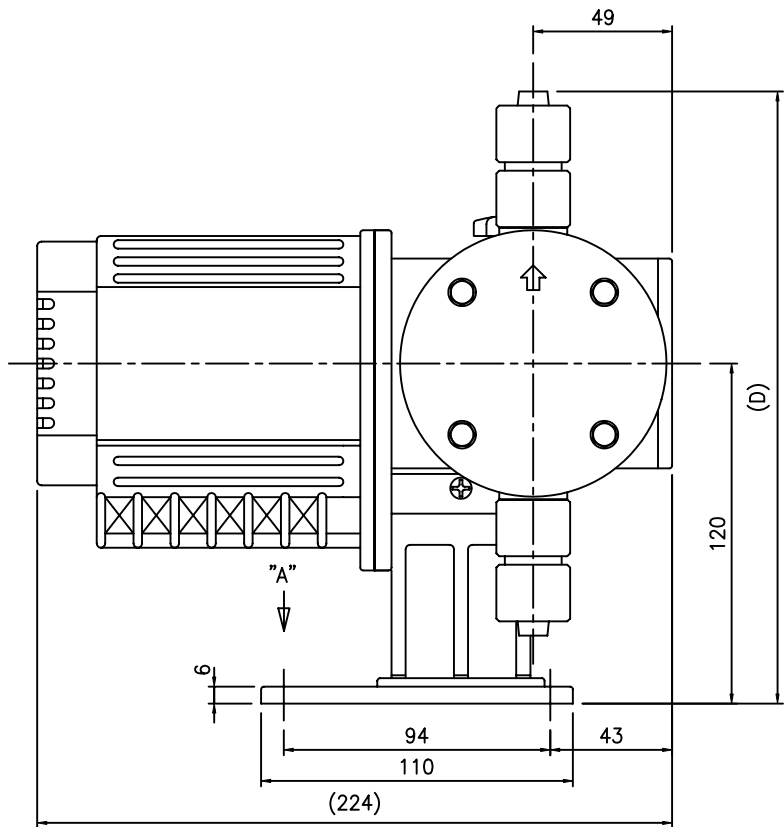
VIEW "A"

DIMENSIONS						(UNIT:mm)
PUMP MODEL	A	B	C	D	E	WEIGHT(kg)
AX1-52-P□□	198	54.5	193	212	∅12X∅18	3.3
AX1-52-F□□	198	54.5	193	212	∅10X∅12	3.4
AX1-13-P□□	204	54	192	215	∅12X∅18	3.6
AX1-13-F□□	204	54	192	215	∅10X∅12	3.7

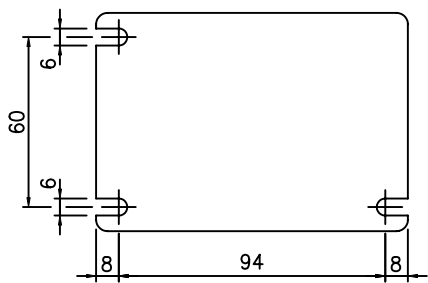
PUMP SPECIFICATIONS			(50Hz/60Hz)	
PUMP MODEL	AX1-52	AX1-13		
MAXIMUM CAPACITY (ml/min)	460 / 550	1040 / 1250		
MAX.DIS.PRESSURE (kgf/cm ² G)	3	3		
STROKE PER MINUTE (SPM)	114 / 136	114 / 136		
MOTOR TYPE	Shaded Pole Fan Cooling			
POWER (W)	17	20		

ITEM NO	NO.	DESCRIPTION	SIZE	MAT'L	Q'TY	REMARK
		소재번호	MAT'L DIM	중량	WEIGHT	척도
	FILE NAME	A1KPH-02	도명	TITLE	OUTLINE DRAWING	
	APPROVED		AX1-52,13-K PUMP (HOSE TYPE)			
	CHECKED					
	DESIGNED					
	DRAWN					
관련도면	작성부서	DATE	도번 DWG NO 141202			
STORAGE NO.	연구개발부	2005.02.22				
ORG.DWG						

MARK	REVISION DESCRIPTION	DATE	DRAWN	APPROVED
△				
△				
△				



PUMP MODEL	DIMENSIONS (UNIT:mm)				WEIGHT(kg)
	A	B	C	D	
AX1-52-S□□	192	53	190	216	5.1
AX1-52-6□□					
AX1-13-S□□	198	54	191	219	5.6
AX1-13-6□□					



VIEW "A"

PUMP SPECIFICATIONS (50Hz/60Hz)		
PUMP MODEL	AX1-52	AX1-13
MAXIMUM CAPACITY (ml/min)	460 / 550	1040 / 1250
MAX.DIS.PRESSURE (kgf/cm ² G)	3	3
STROKE PER MINUTE (SPM)	114 / 136	114 / 136
MOTOR TYPE	Shaded Pole Fan Cooling	
POWER (W)	17	20

ITEM NO	NO.	DESCRIPTION	SIZE	MAT'L	Q'TY	REMARK
		소재번호	소재명	중량	중량	중량
	FILE NAME	A1KSH-02	도명	TITLE OUTLINE DRAWING		
	APPROVED		AX1-52,13-K PUMP (HOSE TYPE)			
	CHECKED		도번 DWG NO 141252			
	DESIGNED					
관련도면	작성부서	DATE				
STORAGE NO.	연구개발부	2005.02.22				
ORG.DWG						