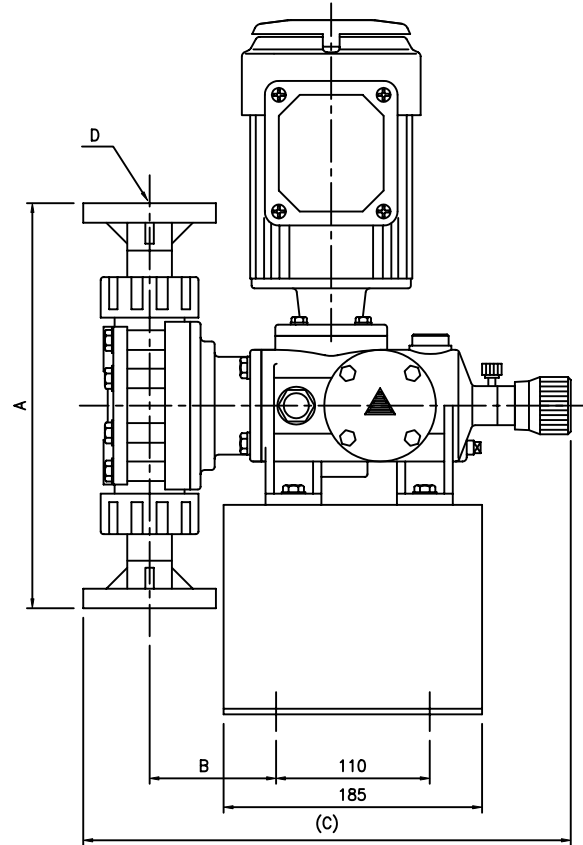
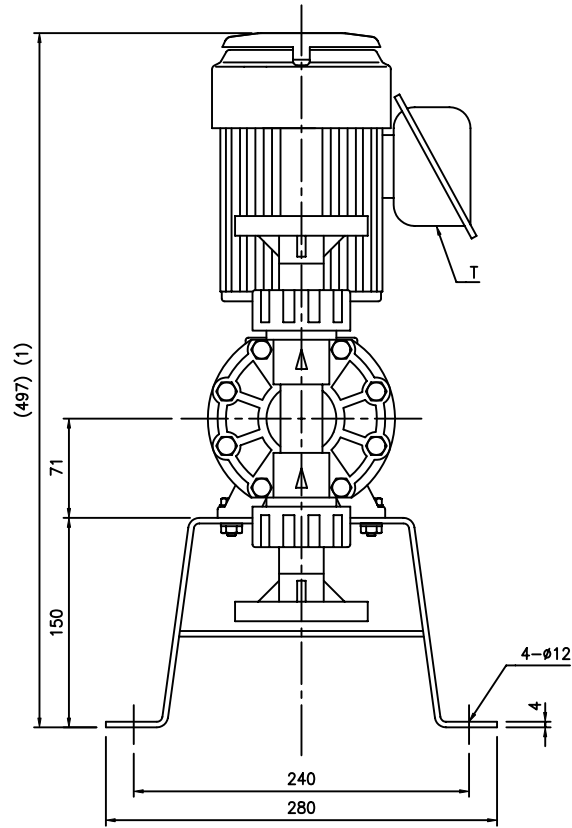


MARK	REVISION DESCRIPTION	DATE	DRAWN	APPROVED
△				
△				
△				



DIMENSIONS				
PUMP MODEL	A	B	C	D
KDV-13H-P □□	290	91	349	KS10K15A FF
KDV-23H-P □□				
KDV-33L-P □□	326	101	376	KS10K25A FF
KDV-73L-P □□				
KDV-53L-P □□				

TERMINAL BOX (T)	
HUB SIZE	MAT'L
φ28	SPCC
PF 3/4"	GC200
PF 1"	GC200

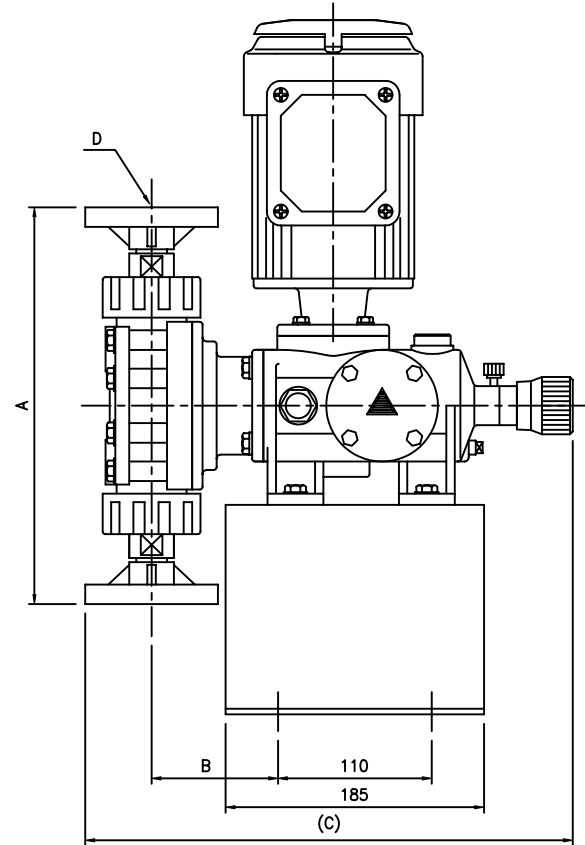
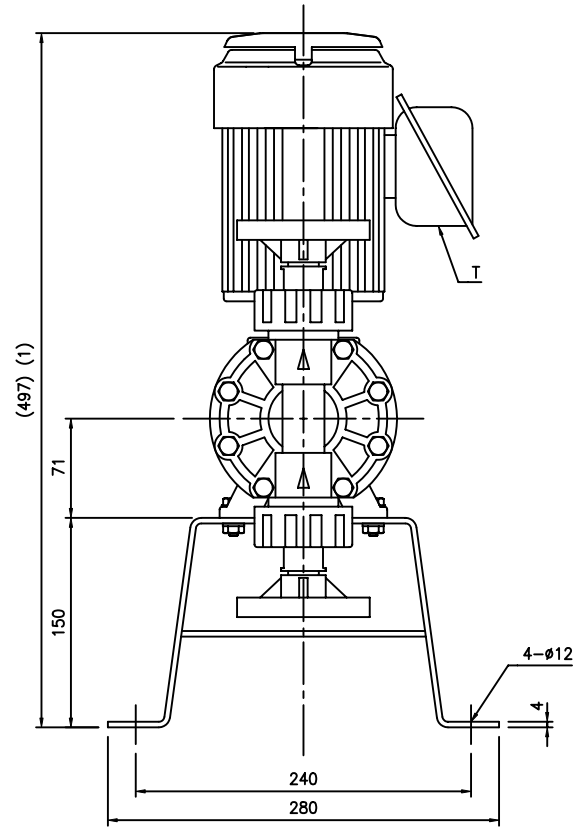
NOTE

1. KDV-53L의 경우 497 에서 517 로 적용할 것.

PUMP SPECIFICATIONS (50Hz/60Hz)					
PUMP MODEL	KDV-13H	KDV-23H	KDV-33L	KDV-73L	KDV-53L
MAXIMUM CAPACITY (ml/min)	850/1020	1700/2040	2900/3480	6200/7440	4800/5800
MAX.DIS.PRESSURE (kgf/cm ² G)	10	8	5	3	5
STROKE PER MINUTE (SPM)	48/58	96/116	48/58	96/116	96/116
ROTATION (MOTOR FAN)	CLOCKWISE				
POWER (kW)	0.2				0.4
APPROX.WEIGHT (kg)	17		19		20

ITEM NO	NO.	DESCRIPTION	SIZE	MAT'L	Q'TY	REMARK
	소재	MAT'L	소재치수	MAT'L DIM	중량	WEIGHT
		척도	SCALE	N/S(0.25)		
	FILE NAME	DVPFS-03	도명	TITLE	OUTLINE DRAWING	
	APPROVED		KDV-13H~53L PUMP(FLANGE TYPE)			
	CHECKED					
	DESIGNED		도번	DWG NO	641103	
관련도면	작용품목	DRAWN				
STORAGE NO.	작성부서	DATE				
ORG.DWG	연구개발부	2004.12.02				

MARK	REVISION DESCRIPTION	DATE	DRAWN	APPROVED
△				
△				
△				



DIMENSIONS				
PUMP MODEL	A	B	C	D
KDV-13H-F □□	284	91	349	KS10K15A FF
KDV-23H-F □□				
KDV-33L-F □□	320	101	376	KS10K25A FF
KDV-73L-F □□				
KDV-53L-F □□				

TERMINAL BOX (T)	
HUB SIZE	MAT'L
φ28	SPCC
PF 3/4"	GC200
PF 1"	GC200

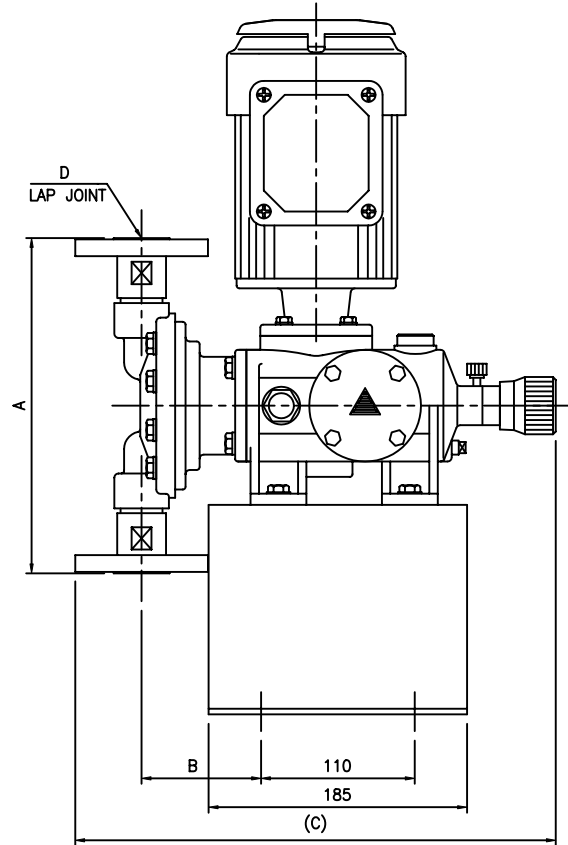
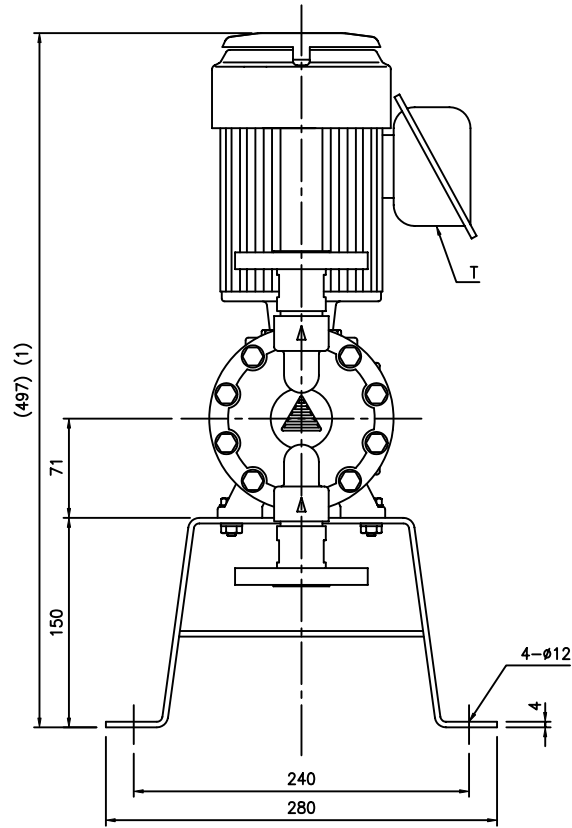
NOTE

1. KDV-53L의 경우 497 에서 517 로 적용할 것.

PUMP SPECIFICATIONS					(50Hz/60Hz)
PUMP MODEL	KDV-13H	KDV-23H	KDV-33L	KDV-73L	KDV-53L
MAXIMUM CAPACITY (ml/min)	850/1020	1700/2040	2900/3480	6200/7440	4800/5800
MAX.DIS.PRESSURE (kgf/cm ² G)	10	8	5	3	5
STROKE PER MINUTE (SPM)	48/58	96/116	48/58	96/116	96/116
ROTATION (MOTOR FAN)	CLOCKWISE				
POWER (kW)	0.2				0.4
APPROX.WEIGHT (kg)	18		20		21

ITEM NO	NO.	DESCRIPTION	SIZE	MAT'L	Q'TY	REMARK
	소재	MAT'L	소재	MAT'L DIM	중량	WEIGHT
	척도	SCALE	N/S(0.25)			
	FILE NAME	DVFFS-03	도명	TITLE	OUTLINE DRAWING	
	APPROVED		KDV-13H~53L PUMP(FLANGE TYPE)			
	CHECKED					
	DESIGNED		도번	DWG NO	641203	
관련도면	작용품목	DRAWN				
STORAGE NO.	작성부서	DATE	천세산업 주식회사 CHEON SEI IND. CO.,LTD.			
ORG.DWG	연구개발부	2004.12.02				

MARK	REVISION DESCRIPTION	DATE	DRAWN	APPROVED
△				
△				
△				



DIMENSIONS				
PUMP MODEL	A	B	C	D
KDV-13H-S,6□□	240	86	344	KS10K15A RF
KDV-23H-S,6□□				
KDV-33L-S,6□□	290	95	370	KS10K25A RF
KDV-73L-S,6□□				
KDV-53L-S,6□□				

TERMINAL BOX (T)	
HUB SIZE	MAT'L
φ28	SPCC
PF 3/4"	GC200
PF 1"	GC200

NOTE
1. KDV-53L의 경우 497 에서 517 로 적용할 것.

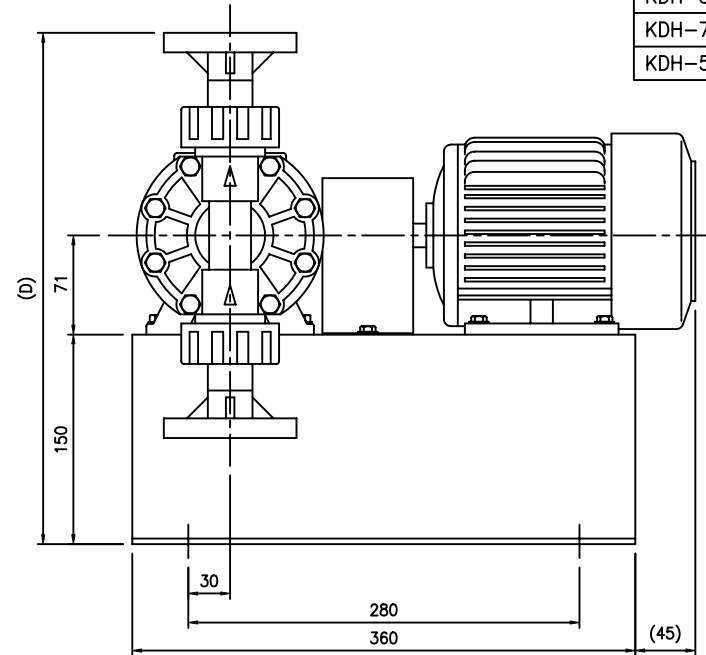
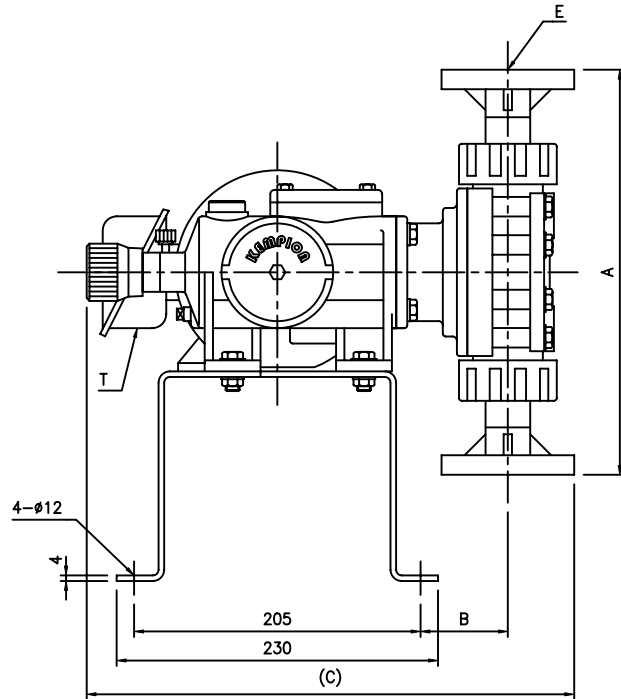
PUMP SPECIFICATIONS (50Hz/60Hz)					
PUMP MODEL	KDV-13H	KDV-23H	KDV-33L	KDV-73L	KDV-53L
MAXIMUM CAPACITY (ml/min)	850/1020	1700/2040	2900/3480	6200/7440	4800/5800
MAX.DIS.PRESSURE (kgf/cm ² G)	10	8	5	3	5
STROKE PER MINUTE (SPM)	48/58	96/116	48/58	96/116	96/116
ROTATION (MOTOR FAN)	CLOCKWISE				
POWER (kW)	0.2				0.4
APPROX.WEIGHT (kg)	18		22		23

ITEM NO	NO.	DESCRIPTION	SIZE	MAT'L	Q'TY	REMARK
		소재명 MAT'L	소재치수 MAT'L DIM	중량 WEIGHT	척도 SCALE	N/S(0.25)
		FILE NAME	DVSFS-03	도명 TITLE	OUTLINE DRAWING	
		APPROVED		KDV-13H~53L PUMP(FLANGE TYPE)		
		CHECKED		도번 DWG NO 641303		
		DESIGNED				
관련도면	작용품목	DRAWN				
STORAGE NO.		작성부서	DATE			
ORG.DWG		연구개발부	2004.12.02			


MARK	REVISION DESCRIPTION	DATE	DRAWN	APPROVED
△				
△				
△				

DIMENSIONS (MOTOR Fr#71)					
PUMP MODEL	A	B	C	D	E
KDH-13H-P□□	290	63	349	366	KS10K15A FF
KDH-23H-P□□					
KDH-33L-P□□	326	73	376	384	KS10K25A FF
KDH-73L-P□□					
KDH-53L-P□□					

TERMINAL BOX (T)	
HUB SIZE	MAT'L
φ22	SPCC
PF 3/4"	GC200
PF 1"	GC200



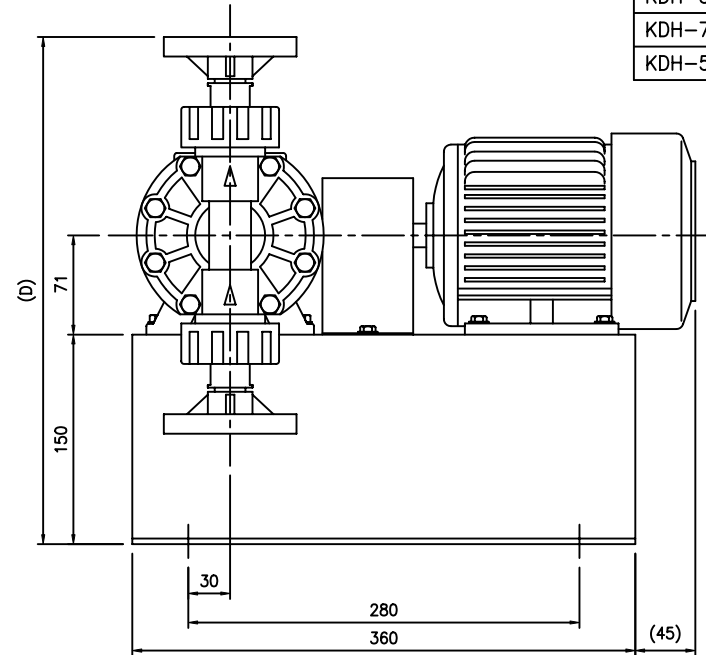
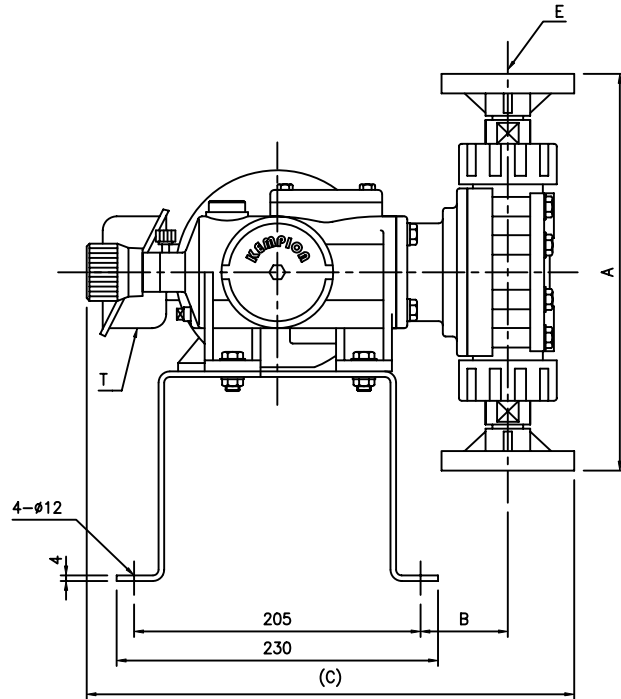
PUMP SPECIFICATIONS (50Hz/60Hz)					
PUMP MODEL	KDH-13H	KDH-23H	KDH-33L	KDH-73L	KDH-53L
MAXIMUM CAPACITY (ml/min)	850/1020	1700/2040	2900/3480	6200/7440	4800/5800
MAX.DIS.PRESSURE (kgf/cm ² G)	10	8	5	3	5
STROKE PER MINUTE (SPM)	48/58	96/116	48/58	96/116	96/116
ROTATION (MOTOR FAN)	CLOCKWISE				
POWER (kW)	0.2				0.4
APPROX.WEIGHT (kg)	20		22		23

ITEM NO	NO.	DESCRIPTION	SIZE	MAT'L	Q'TY	REMARK
	소재	MAT'L	소재	수	MAT'L DIM	중량 WEIGHT
		FILE NAME	DHPFS-03	도명 TITLE OUTLINE DRAWING		
		APPROVED		KDH-13H~53L PUMP(FLANGE TYPE)		
		CHECKED		도번 DWG NO 642103		
		DESIGNED				
관련도면		작업품목		DRAWN		
STORAGE NO.		작성부서	DATE			
ORG.DWG		연구개발부	2004.12.02	 천세산업 주식회사 CHEON SEI IND. CO.,LTD.		

MARK	REVISION DESCRIPTION	DATE	DRAWN	APPROVED
△				
△				
△				

DIMENSIONS (MOTOR Fr#71)					
PUMP MODEL	A	B	C	D	E
KDH-13H-F□□	284	63	349	363	KS10K15A FF
KDH-23H-F□□					
KDH-33L-F□□	320	73	376	381	KS10K25A FF
KDH-73L-F□□					
KDH-53L-F□□					

TERMINAL BOX (T)	
HUB SIZE	MAT'L
φ22	SPCC
PF 3/4"	GC200
PF 1"	GC200



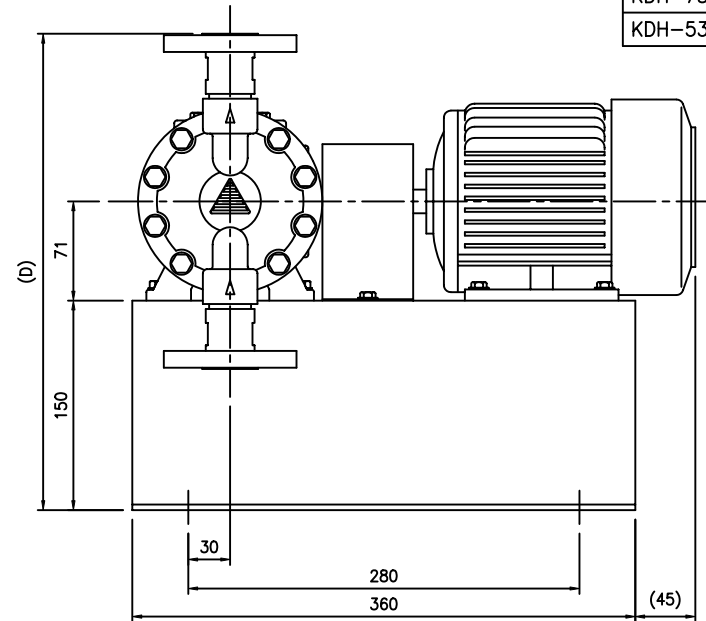
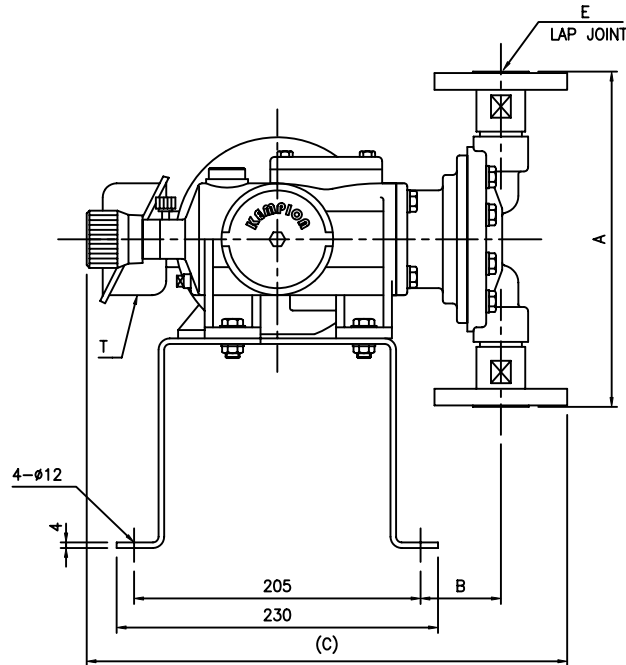
PUMP SPECIFICATIONS (50Hz/60Hz)					
PUMP MODEL	KDH-13H	KDH-23H	KDH-33L	KDH-73L	KDH-53L
MAXIMUM CAPACITY (ml/min)	850/1020	1700/2040	2900/3480	6200/7440	4800/5800
MAX.DIS.PRESSURE (kgf/cm ² G)	10	8	5	3	5
STROKE PER MINUTE (SPM)	48/58	96/116	48/58	96/116	96/116
ROTATION (MOTOR FAN)	CLOCKWISE				
POWER (kW)	0.2				0.4
APPROX.WEIGHT (kg)	21		23		24

ITEM NO	NO.	DESCRIPTION	SIZE	MAT'L	Q'TY	REMARK
	자재 MAT'L	소재처수 MAT'L DIM	중량 WEIGHT	척도 SCALE	N/S(0.25)	
	FILE NAME	DHFFS-03	도명 TITLE	OUTLINE DRAWING		
	APPROVED		KDH-13H~53L PUMP(FLANGE TYPE)			
	CHECKED					
	DESIGNED		도번 DWG NO	642203		
관련도면	작업품목	DRAWN				
STORAGE NO.	작성부서	DATE				
ORG.DWG	연구개발부	2004.12.02				

MARK	REVISION DESCRIPTION	DATE	DRAWN	APPROVED
△				
△				
△				

DIMENSIONS (MOTOR Fr#71)					
PUMP MODEL	A	B	C	D	E
KDH-13H-S,6□□	240	58	344	341	KS10K15A RF
KDH-23H-S,6□□					
KDH-33L-S,6□□	290	67	370	366	KS10K25A RF
KDH-73L-S,6□□					
KDH-53L-S,6□□					

TERMINAL BOX (T)	
HUB SIZE	MAT'L
φ22	SPCC
PF 3/4"	GC200
PF 1"	GC200



PUMP SPECIFICATIONS (50Hz/60Hz)					
PUMP MODEL	KDH-13H	KDH-23H	KDH-33L	KDH-73L	KDH-53L
MAXIMUM CAPACITY (ml/min)	850/1020	1700/2040	2900/3480	6200/7440	4800/5800
MAX.DIS.PRESSURE (kgf/cm ² G)	10	8	5	3	5
STROKE PER MINUTE (SPM)	48/58	96/116	48/58	96/116	96/116
ROTATION (MOTOR FAN)	CLOCKWISE				
POWER (kW)	0.2				0.4
APPROX.WEIGHT (kg)	21		25		26

ITEM NO	NO.	DESCRIPTION	SIZE	MAT'L	Q'TY	REMARK
	소재	MAT'L	소재	수	MAT'L DIM	중량 WEIGHT
		FILE NAME	DHSFS-03	도명 TITLE OUTLINE DRAWING		
		APPROVED		KDH-13H~53L PUMP(FLANGE TYPE)		
		CHECKED		도번 DWG NO 642303		
		DESIGNED				
관련도면		작업품목		DRAWN		
STORAGE NO.		작성부서	DATE			
ORG.DWG		연구개발부	2004.12.02			