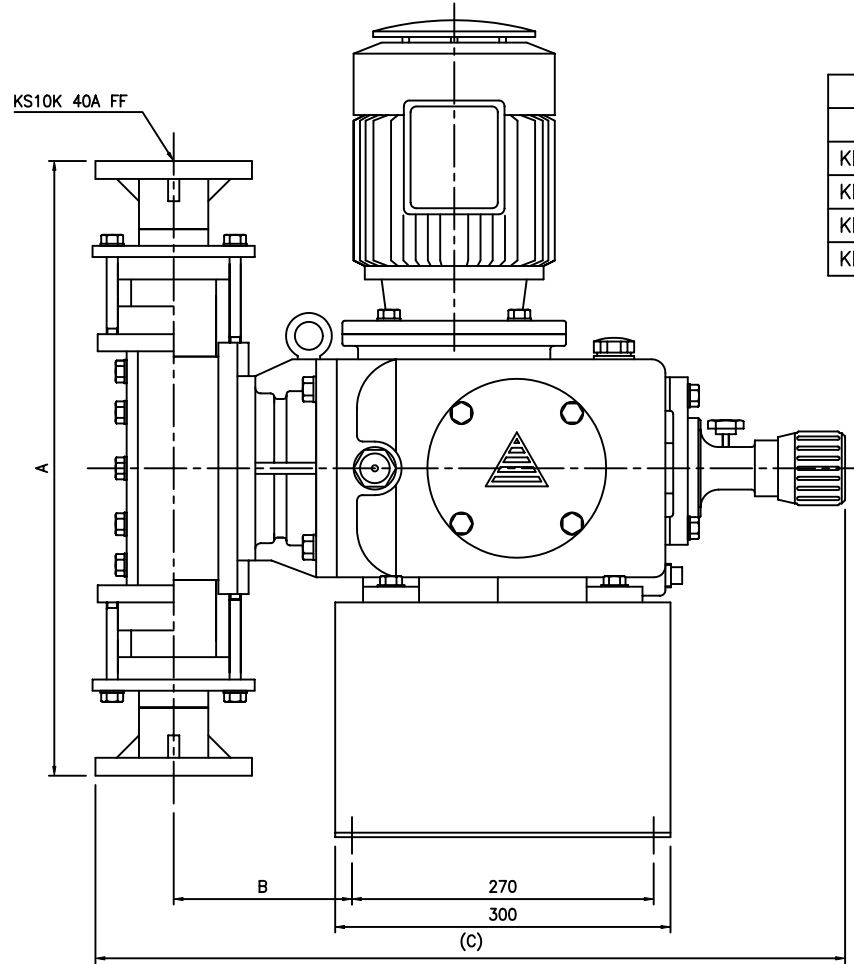
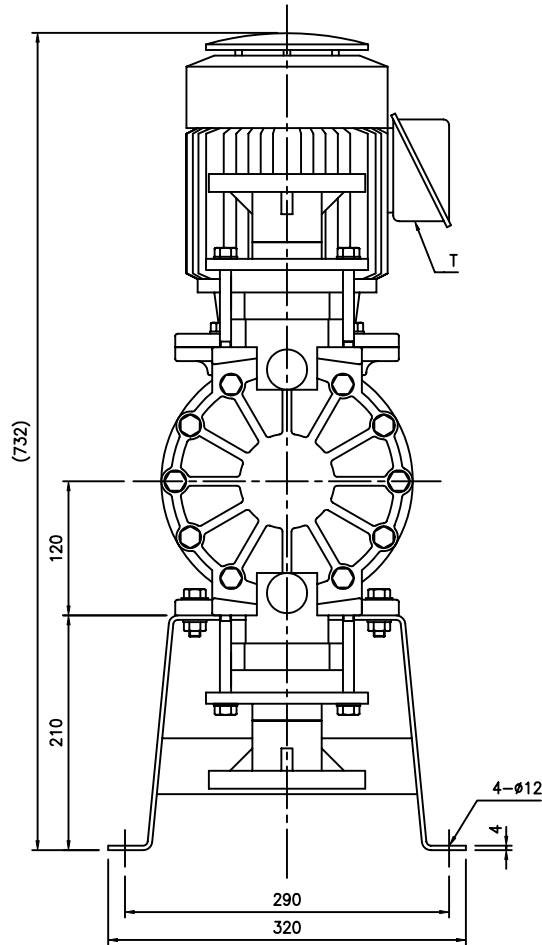


MARK	REVISION DESCRIPTION	DATE	DRAWN	APPROVED
△				
△				
△				



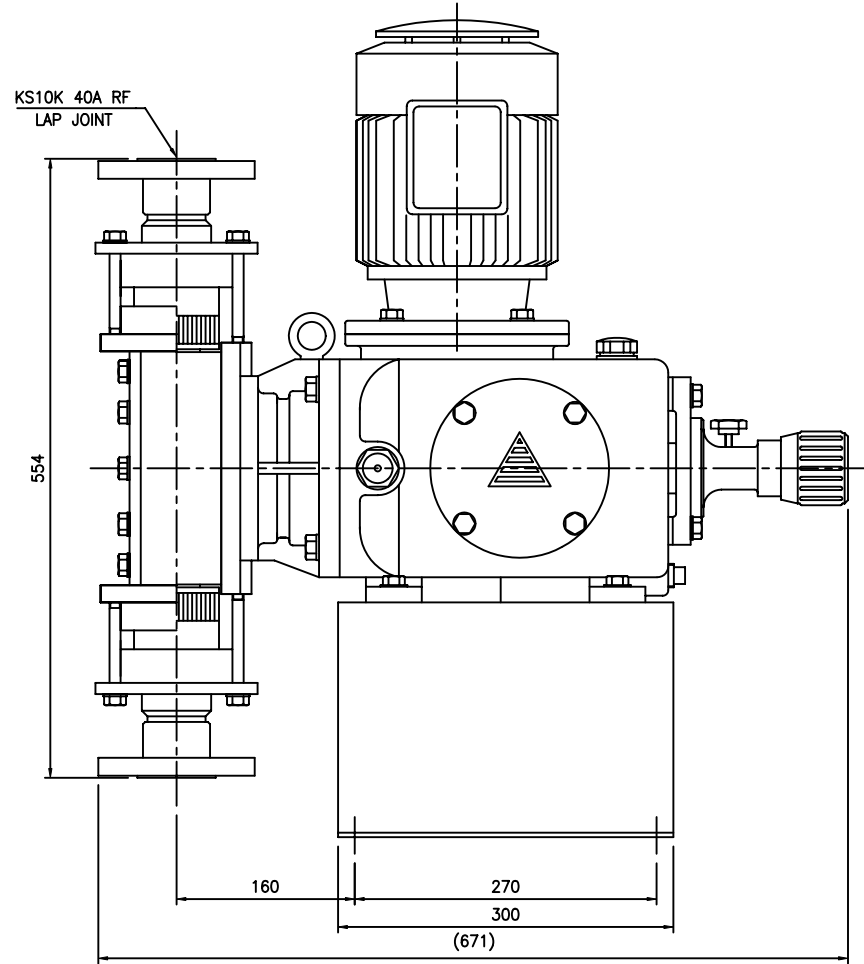
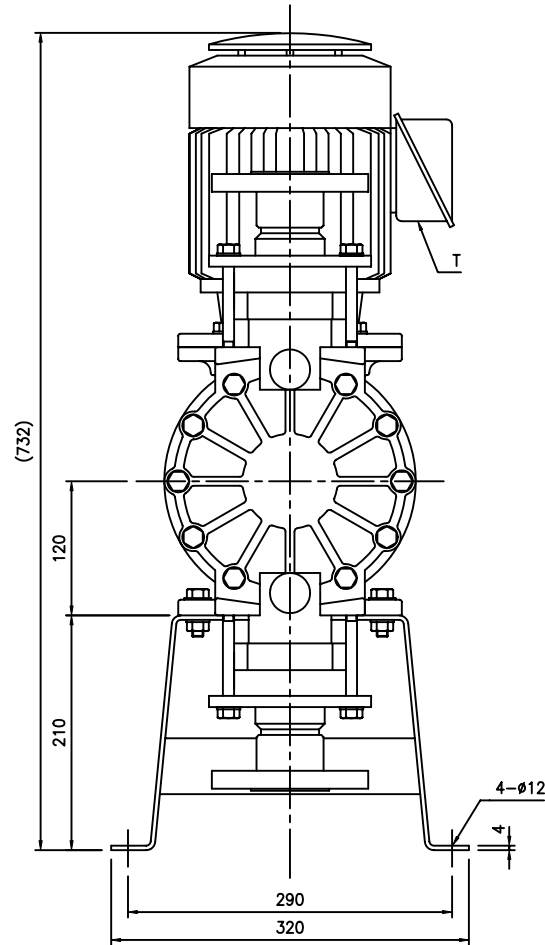
DIMENSIONS			
PUMP MODEL	A	B	C
KDV-14H-P□□	550	160	671
KDV-14G-P□□			
KDV-24L-P□□	556	163	675
KDV-24S-P□□			

PUMP SPECIFICATIONS (50Hz/60Hz)				
PUMP MODEL	KDV-14H	KDV-14G	KDV-24L	KDV-24S
MAXIMUM CAPACITY (L/min)	9 / 10.8	13.3 / 16	18.4 / 22	23.3 / 28
MAX.DIS.PRESSURE (kgf/cm <sup>2</sup> G)	7	5	3	3
STROKE PER MINUTE (SPM)	48 / 58	96 / 116	96 / 116	96 / 116
ROTATION (MOTOR FAN)	CLOCKWISE			
POWER (kW)	0.75			
APPROX.WEIGHT(kg)	86	86	86	89

TERMINAL BOX (T)	
HUB SIZE	MAT'L
φ28	SPCC
PF 3/4"	GC200
PF 1"	GC200

ITEM NO	NO.	DESCRIPTION	SIZE	MAT'L	Q'TY	REMARK
		소재명 MAT'L	소재수량 MAT'L DIM	중량 WEIGHT	척도 SCALE	N/S(0.2)
		FILE NAME	DVPFS-07	도명 TITLE	OUTLINE DRAWING	
		APPROVED		KDV-14H~24S PUMP(FLANGE TYPE)		
		CHECKED			도번 DWG NO	641107
		DESIGNED				
		DRAWN				
관련도면	작용품목					
STORAGE NO.	작성부서	DATE				
ORG.DWG	연구개발부	2004.12.07				

MARK	REVISION DESCRIPTION	DATE	DRAWN	APPROVED
△				
△				
△				

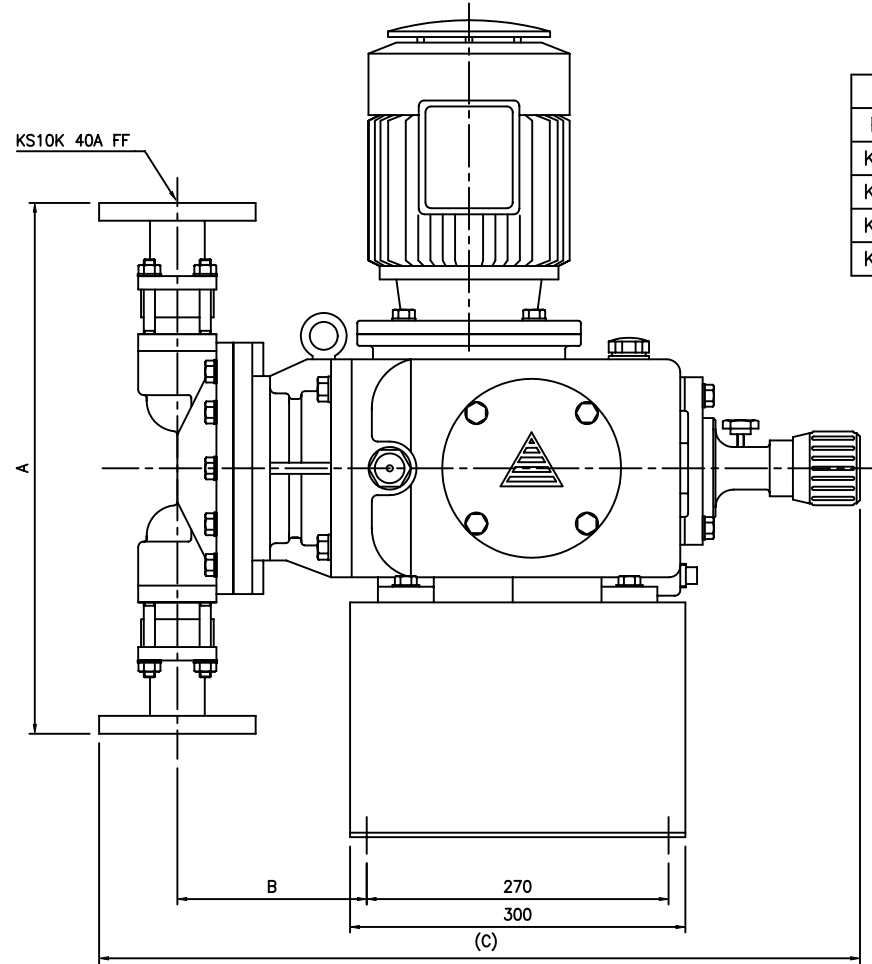
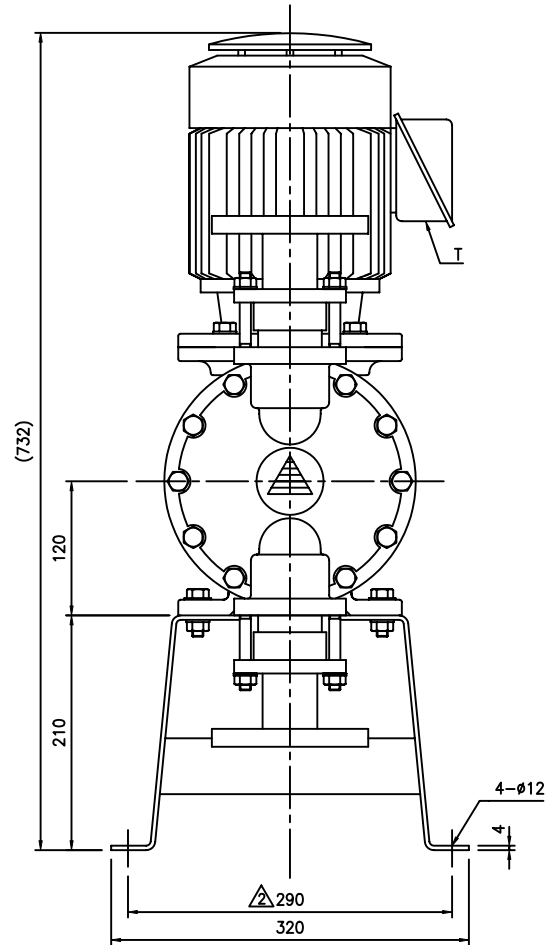


PUMP SPECIFICATIONS			(50Hz/60Hz)
PUMP MODEL	KDV-14H-F□□	KDV-14G-F□□	KDV-24L-F□□
MAXIMUM CAPACITY (L/min)	9 / 10.8	13.3 / 16	18.4 / 22
MAX.DIS.PRESSURE (kgf/cm <sup>2</sup> G)	7	5	3
STROKE PER MINUTE (SPM)	48 / 58	96 / 116	96 / 116
ROTATION (MOTOR FAN)	CLOCKWISE		
POWER (kW)	0.75		
APPROX.WEIGHT(kg)	91		

TERMINAL BOX (T)	
HUB SIZE	MAT'L
ø28	SPCC
PF 3/4"	GC200
PF 1"	GC200

ITEM NO	NO.	DESCRIPTION	SIZE	MAT'L	Q'TY	REMARK
		파일명 MAT'L	소재번호 MAT'L DIM	중량 WEIGHT	척도 SCALE	N/S(0.2)
		FILE NAME	DVFFS-07	도명 TITLE	OUTLINE DRAWING	
		APPROVED			KDV-14H~24L PUMP(FLANGE TYPE)	
		CHECKED			도번 DWG NO 641207	
		DESIGNED				
		DRAWN				
관련도면	작업품목					
STORAGE NO.		작성부서	DATE			
ORG.DWG		연구개발부	2004.12.07			

MARK	REVISION DESCRIPTION	DATE	DRAWN	APPROVED
△				
△				
△				



DIMENSIONS			
PUMP MODEL	A	B	C
KDV-14H-S,6	475	170	681
KDV-14G-S,6			
KDV-24L-S,6			
KDV-24S-S,6	522	174	686

PUMP SPECIFICATIONS (50Hz/60Hz)				
PUMP MODEL	KDV-14H	KDV-14G	KDV-24L	KDV-24S
MAXIMUM CAPACITY (L/min)	9 / 10.8	13.3 / 16	18.4 / 22	23.3 / 28
MAX.DIS.PRESSURE (kgf/cm <sup>2</sup> G)	7	5	3	3
STROKE PER MINUTE (SPM)	48 / 58	96 / 116	96 / 116	96 / 116
ROTATION (MOTOR FAN)	CLOCKWISE			
POWER (kW)	0.75			
APPROX.WEIGHT(kg)	87	87	87	95

TERMINAL BOX (T)	
HUB SIZE	MAT'L
ø28	SPCC
PF 3/4"	GC200
PF 1"	GC200

ITEM NO	NO.	DESCRIPTION	SIZE	MAT'L	Q'TY	REMARK
		FILE NAME	DVSFS-07	도명 TITLE	OUTLINE DRAWING	
		APPROVED		KDV-14H~24S PUMP(FLANGE TYPE)		
		CHECKED		도번 DWG NO	641307	
		DESIGNED				
관련도면	작용품목	DRAWN				
STORAGE NO.		작성부서	DATE			
ORG.DWG		연구개발부	2004.12.07			