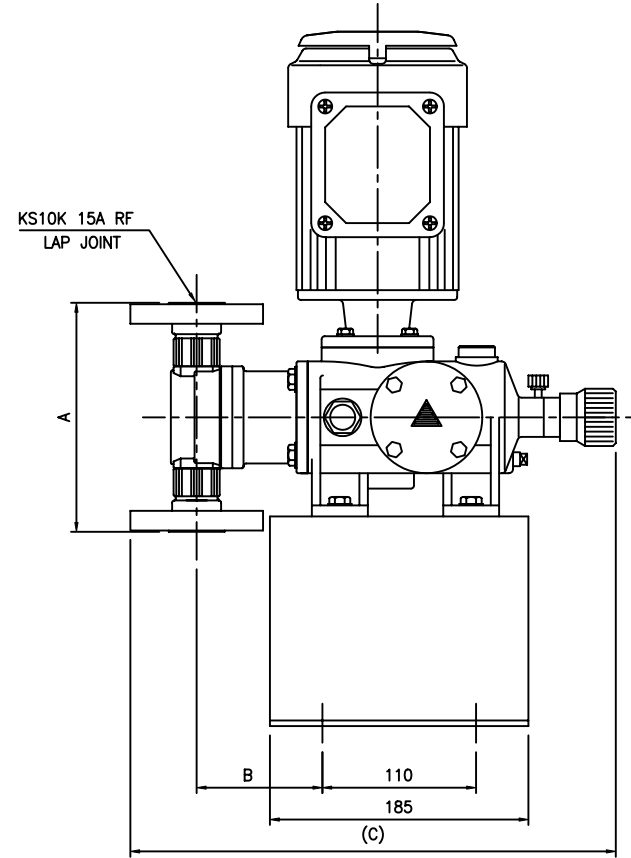
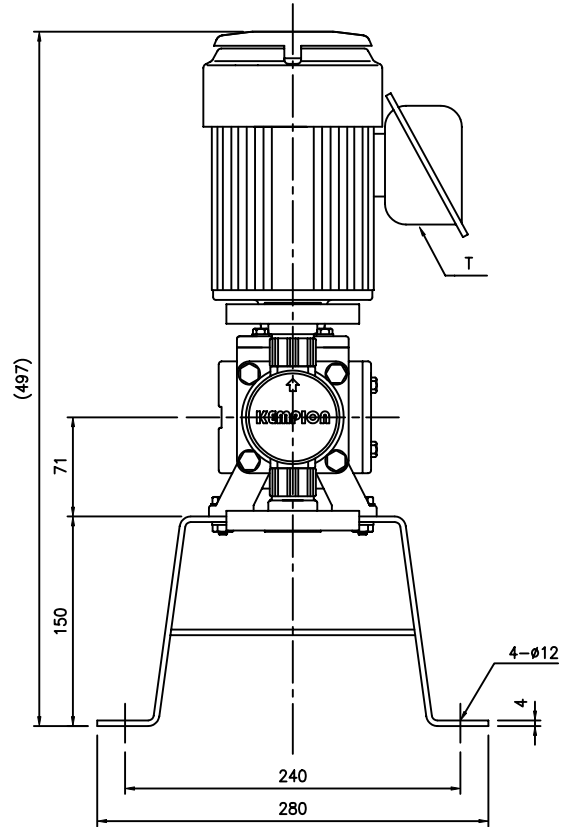


MARK	REVISION DESCRIPTION	DATE	DRAWN	APPROVED
△				
△				
△				
△				
△				



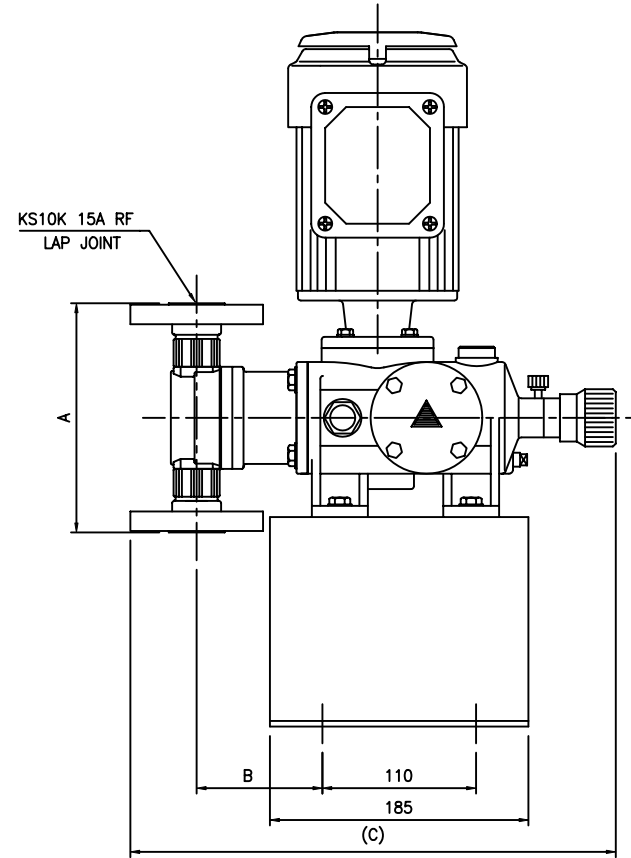
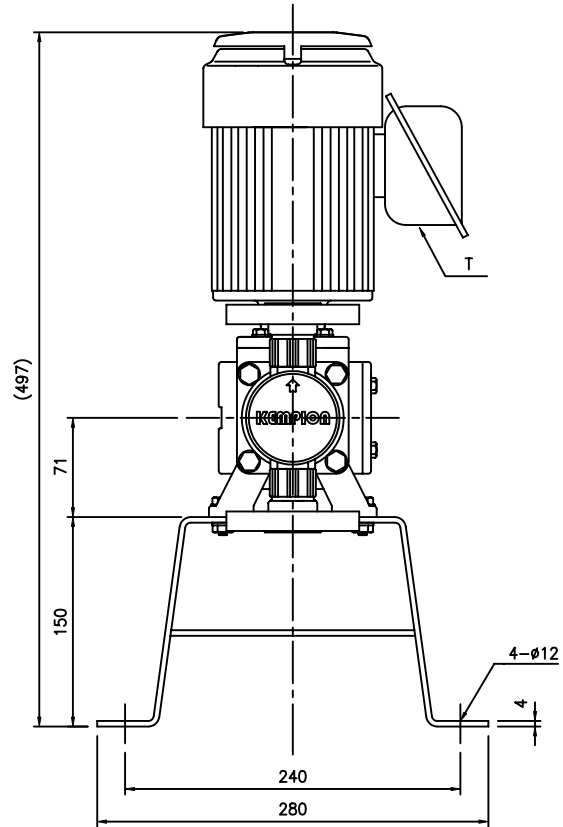
DIMENSIONS			
PUMP MODEL	A	B	C
KDV-21H-P□□	164	90	346
KDV-61H-P□□	164	91	347
KDV-12H-P□□			

PUMP SPECIFICATIONS			(50Hz/60Hz)
PUMP MODEL	KDV-21H	KDV-61H	KDV-12H
MAXIMUM CAPACITY (ml/min)	20 / 25	50 / 60	100 / 120
MAX.DIS.PRESSURE (kgf/cm ² G)	10	10	10
STROKE PER MINUTE (SPM)	48 / 58	48 / 58	96 / 116
ROTATION (MOTOR FAN)	CLOCKWISE		
POWER (kW)	0.2		
APPROX.WEIGHT(kg)	14		

TERMINAL BOX (T)	
HUB SIZE	MAT'L
Ø28	SPCC
PF 3/4"	GC200
PF 1"	GC200

ITEM NO	NO.	DESCRIPTION	SIZE	MAT'L	Q'TY	REMARK
		소재명 MAT'L	소재치수 MAT'L DIM	중량 WEIGHT	척도 SCALE	N/S(0.25)
		FILE NAME	DVPFS-01	도명 TITLE OUTLINE DRAWING		
		APPROVED		KDV-21H~12H PUMP(FLANGE TYPE)		
		CHECKED		도번 DWG NO 641101		
		DESIGNED				
		DRAWN				
관련도면	작업품목	DATE	2004.12.01			
STORAGE NO.	연구개발부					
ORG.DWG						

MARK	REVISION DESCRIPTION	DATE	DRAWN	APPROVED
△				
△				
△				



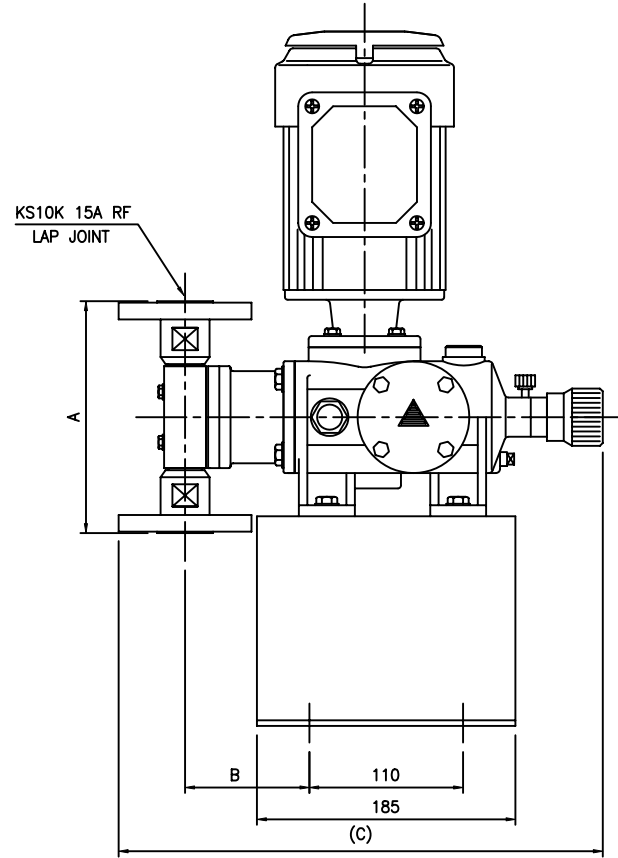
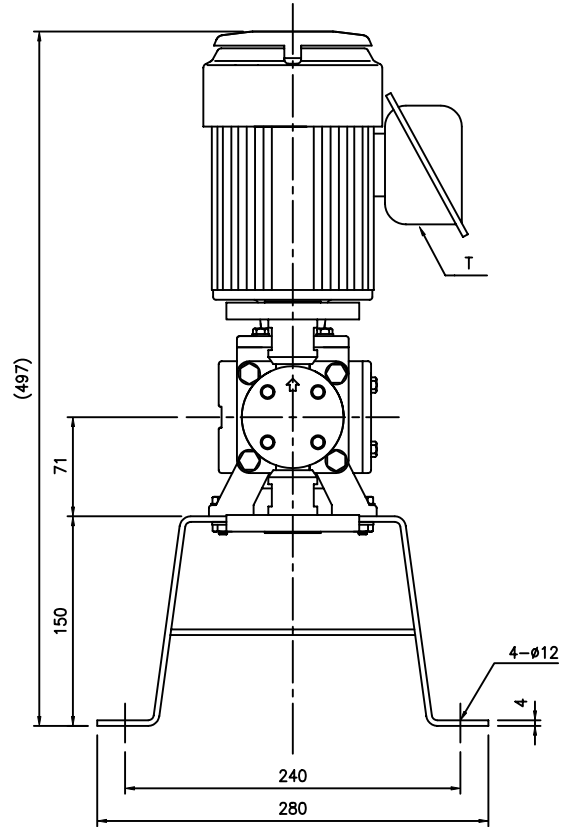
DIMENSIONS			
PUMP MODEL	A	B	C
KDV-21H-F□□	164	90	346
KDV-61H-F□□	164	91	347
KDV-12H-F□□			

PUMP SPECIFICATIONS			(50Hz/60Hz)
PUMP MODEL	KDV-21H	KDV-61H	KDV-12H
MAXIMUM CAPACITY (ml/min)	20 / 25	50 / 60	100 / 120
MAX.DIS.PRESSURE (kgf/cm ² G)	10	10	10
STROKE PER MINUTE (SPM)	48 / 58	48 / 58	96 / 116
ROTATION (MOTOR FAN)	CLOCKWISE		
POWER (kW)	0.2		
APPROX.WEIGHT(kg)	14		

TERMINAL BOX (T)	
HUB SIZE	MAT'L
ø28	SPCC
PF 3/4"	GC200
PF 1"	GC200

ITEM NO	NO.	DESCRIPTION	SIZE	MAT'L	Q'TY	REMARK
		파일 MAT'L	소재치수 MAT'L DIM	중량 WEIGHT	척도 SCALE	N/S(0.25)
		FILE NAME	DVFFS-01	도명 TITLE	OUTLINE DRAWING	
		APPROVED		KDV-21H~12H PUMP(FLANGE TYPE)		
		CHECKED		도번 DWG NO	641201	
		DESIGNED				
관련도면	작업품목	DRAWN				
STORAGE NO.		작성부서	DATE			
ORG.DWG		연구개발부	2004.12.01			

MARK	REVISION DESCRIPTION	DATE	DRAWN	APPROVED
△				
△				
△				
△				
△				



DIMENSIONS			
PUMP MODEL	A	B	C
KDV-21H-S□□	166	89	345
KDV-21H-6□□			
KDV-61H-S□□	166	90	346
KDV-61H-6□□			
KDV-12H-S□□			
KDV-12H-6□□			

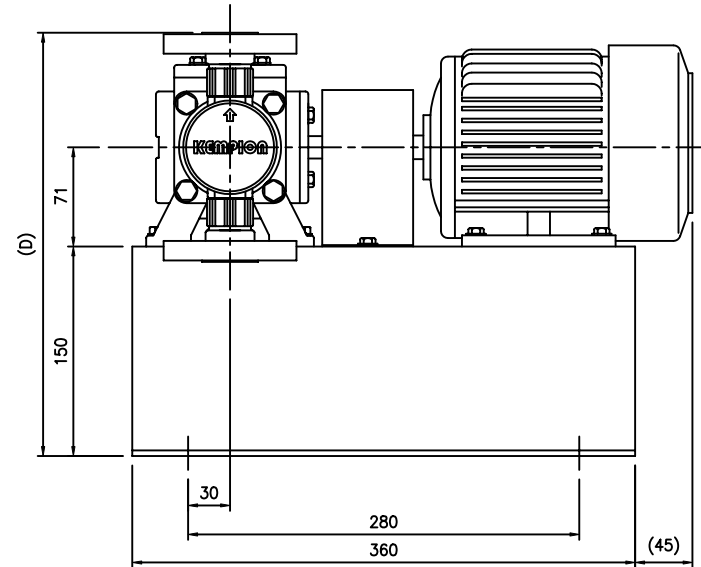
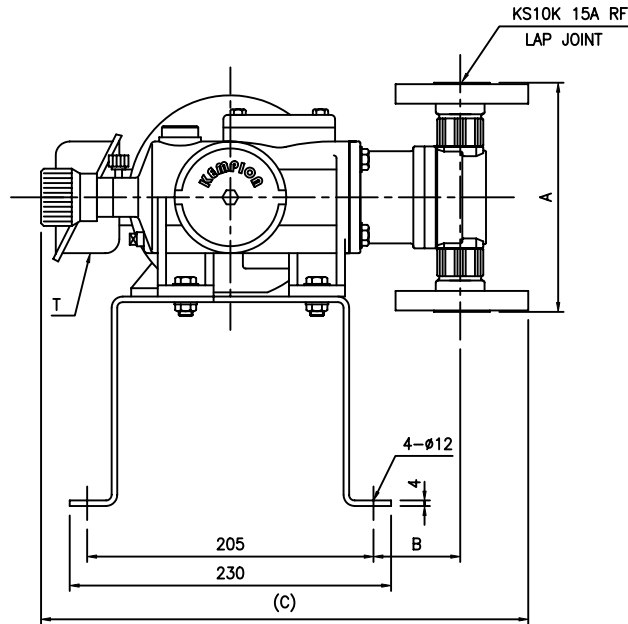
PUMP SPECIFICATIONS			(50Hz/60Hz)
PUMP MODEL	KDV-21H	KDV-61H	KDV-12H
MAXIMUM CAPACITY (ml/min)	20 / 25	50 / 60	100 / 120
MAX.DIS.PRESSURE (kgf/cm ² G)	10	10	10
STROKE PER MINUTE (SPM)	48 / 58	48 / 58	96 / 116
ROTATION (MOTOR FAN)	CLOCKWISE		
POWER (kW)	0.2		
APPROX.WEIGHT(kg)	17		

TERMINAL BOX (T)	
HUB SIZE	MAT'L
Ø28	SPCC
PF 3/4"	GC200
PF 1"	GC200

ITEM NO	NO.	DESCRIPTION	SIZE	MAT'L	Q'TY	REMARK
	재질 MAT'L	소재치수 MAT'L DIM	중량 WEIGHT	척도 SCALE N/S(0.25)		
	FILE NAME	DVSFS-01	도명 TITLE	OUTLINE DRAWING		
	APPROVED		KDV-21H~12H PUMP(FLANGE TYPE)			
	CHECKED		도번 DWG NO	641301		
	DESIGNED					
관련도면	작업품목	DRAWN				
STORAGE NO.	작성부서	DATE	천세산업 주식회사 CHEON SEI IND. CO.,LTD.			
ORG.DWG	연구개발부	2004.12.01				

MARK	REVISION DESCRIPTION	DATE	DRAWN	APPROVED
△				
△				
△				

DIMENSIONS(MOTOR Fr#71)				
PUMP MODEL	A	B	C	D
KDH-21H-P□□	164	62	346	303
KDH-61H-P□□	164	63	347	303
KDH-12H-P□□				



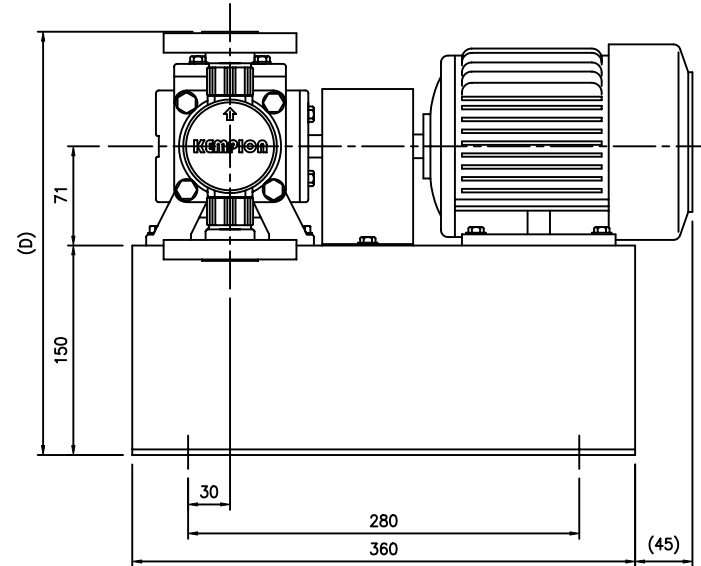
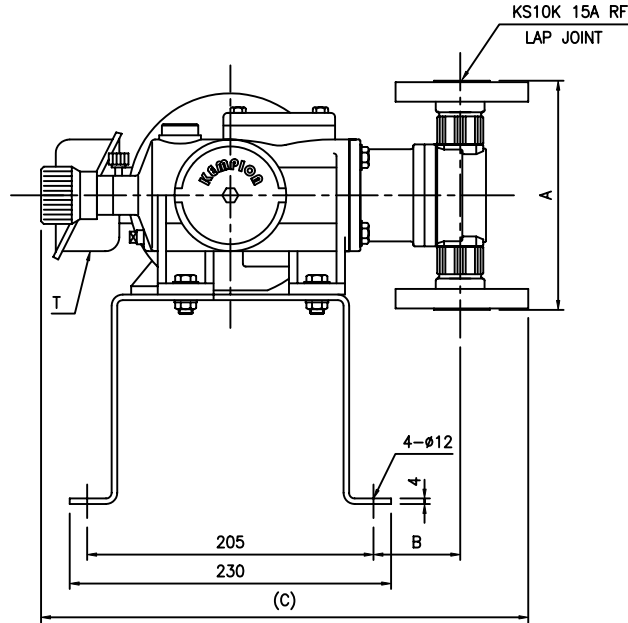
PUMP SPECIFICATIONS (50Hz/60Hz)			
PUMP MODEL	KDH-21H	KDH-61H	KDH-12H
MAXIMUM CAPACITY (ml/min)	20 / 25	50 / 60	100 / 120
MAX.DIS.PRESSURE (kgf/cm ² G)	10	10	10
STROKE PER MINUTE (SPM)	48 / 58	48 / 58	96 / 116
ROTATION (MOTOR FAN)	CLOCKWISE		
POWER (kW)	0.2		
APPROX.WEIGHT(kg)	17		

TERMINAL BOX (T)	
HUB SIZE	MAT'L
φ22	SPCC
PF 3/4"	GC200
PF 1"	GC200

ITEM NO	NO.	DESCRIPTION	SIZE	MAT'L	Q'TY	REMARK
		소재번호	MAT'L DIM	중량	WEIGHT	척도 SCALE N/S(0.25)
		FILE NAME	DHPFS-01	도명 TITLE OUTLINE DRAWING		
		APPROVED		KDH-21H~12H PUMP(FLANGE TYPE)		
		CHECKED		도번 DWG NO 642101		
		DESIGNED				
		DRAWN				
관련도면	작업품목					
STORAGE NO.	작성부서	DATE				
ORG.DWG	연구개발부	2004.12.01				

MARK	REVISION DESCRIPTION	DATE	DRAWN	APPROVED
△				
△				
△				

DIMENSIONS(MOTOR Fr#71)				
PUMP MODEL	A	B	C	D
KDH-21H-F□□	164	62	346	303
KDH-61H-F□□	164	63	347	303
KDH-12H-F□□				

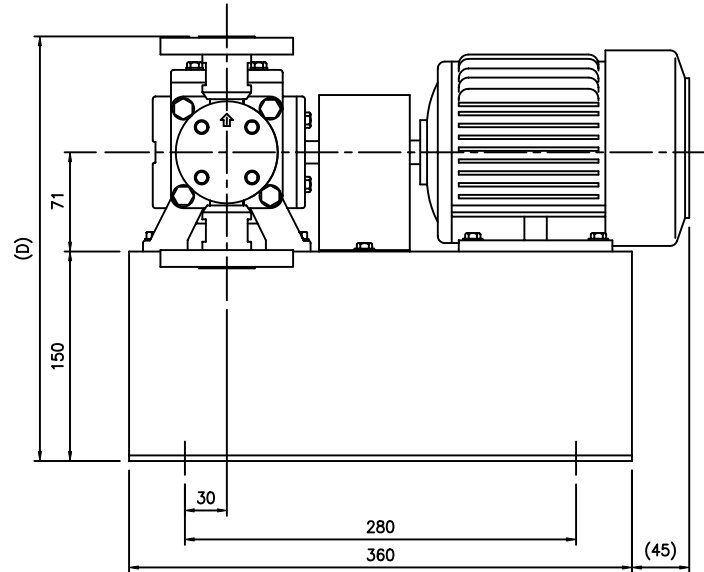
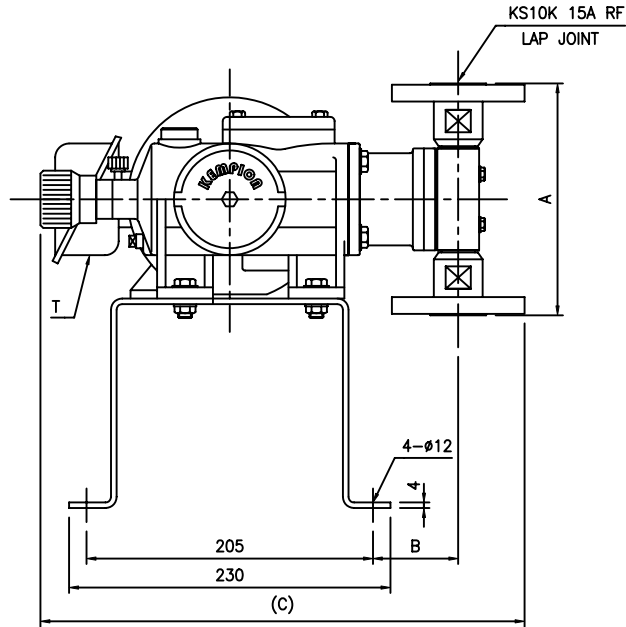


PUMP SPECIFICATIONS (50Hz/60Hz)			
PUMP MODEL	KDH-21H	KDH-61H	KDH-12H
MAXIMUM CAPACITY (ml/min)	20 / 25	50 / 60	100 / 120
MAX.DIS.PRESSURE (kgf/cm ² G)	10	10	10
STROKE PER MINUTE (SPM)	48 / 58	48 / 58	96 / 116
ROTATION (MOTOR FAN)	CLOCKWISE		
POWER (kW)	0.2		
APPROX.WEIGHT(kg)	17		

TERMINAL BOX (T)	
HUB SIZE	MAT'L
ø22	SPCC
PF 3/4"	GC200
PF 1"	GC200

ITEM NO	NO.	DESCRIPTION	SIZE	MAT'L	Q'TY	REMARK
		파일 MAT'L	소재사수 MAT'L DIM	중량 WEIGHT	척도 SCALE	N/S(0.25)
		FILE NAME	DHFFS-01	도명 TITLE OUTLINE DRAWING		
		APPROVED		KDH-21H~12H PUMP(FLANGE TYPE)		
		CHECKED		도번 DWG NO 642201		
		DESIGNED				
관련도면	작용품목	DRAWN				
STORAGE NO.		작성부서	DATE			
ORG.DWG		연구개발부	2004.12.01			

MARK	REVISION DESCRIPTION	DATE	DRAWN	APPROVED
△				
△				
△				
△				



DIMENSIONS(MOTOR Fr#71)				
PUMP MODEL	A	B	C	D
KDH-21H-S□□	166	61	345	304
KDH-21H-6□□				
KDH-61H-S□□	166	62	346	304
KDH-61H-6□□				
KDH-12H-S□□				
KDH-12H-6□□				

PUMP SPECIFICATIONS (50Hz/60Hz)			
PUMP MODEL	KDH-21H	KDH-61H	KDH-12H
MAXIMUM CAPACITY (ml/min)	20 / 25	50 / 60	100 / 120
MAX.DIS.PRESSURE (kgf/cm ² G)	10	10	10
STROKE PER MINUTE (SPM)	48 / 58	48 / 58	96 / 116
ROTATION (MOTOR FAN)	CLOCKWISE		
POWER (kW)	0.2		
APPROX.WEIGHT(kg)	20		

TERMINAL BOX (T)	
HUB SIZE	MAT'L
φ22	SPCC
PF 3/4"	GC200
PF 1"	GC200

ITEM NO	NO.	DESCRIPTION	SIZE	MAT'L	Q'TY	REMARK
		파일 MAT'L	소재/차수 MAT'L DIM	중량 WEIGHT		척도 SCALE N/S(0.25)
		FILE NAME	DHSFS-01	도명 TITLE	OUTLINE DRAWING	
		APPROVED		KDH-21H~12H PUMP(FLANGE TYPE)		
		CHECKED				
		DESIGNED				
		DRAWN				
관련도면	작용품목					
STORAGE NO.		작성부서	DATE			
ORG.DWG		연구개발부	2004.12.01			