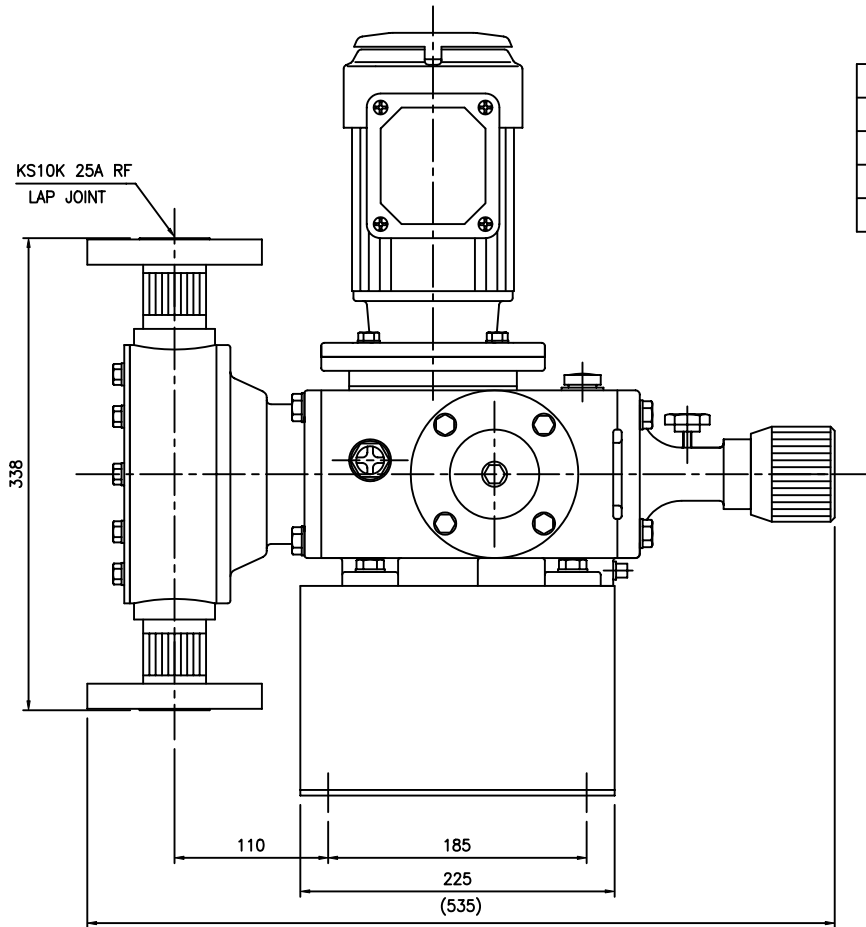
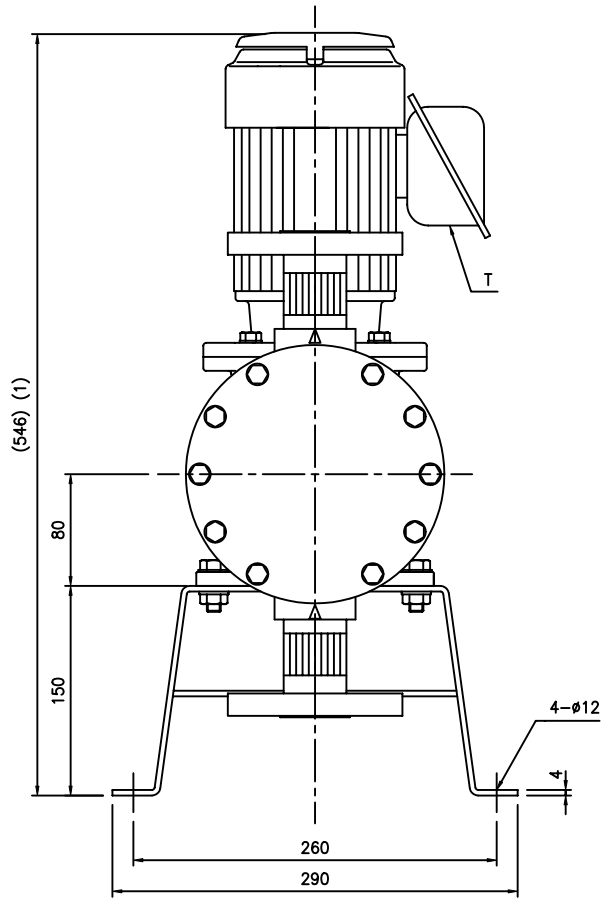


MARK	REVISION DESCRIPTION	DATE	DRAWN	APPROVED
△				
△				
△				



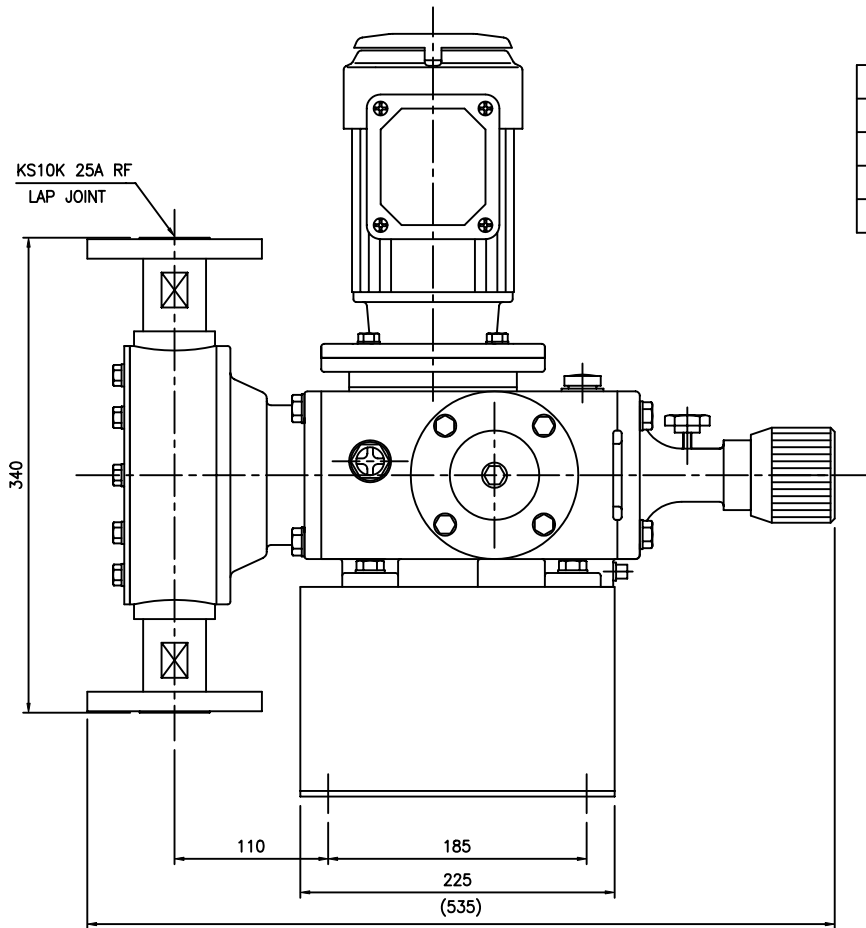
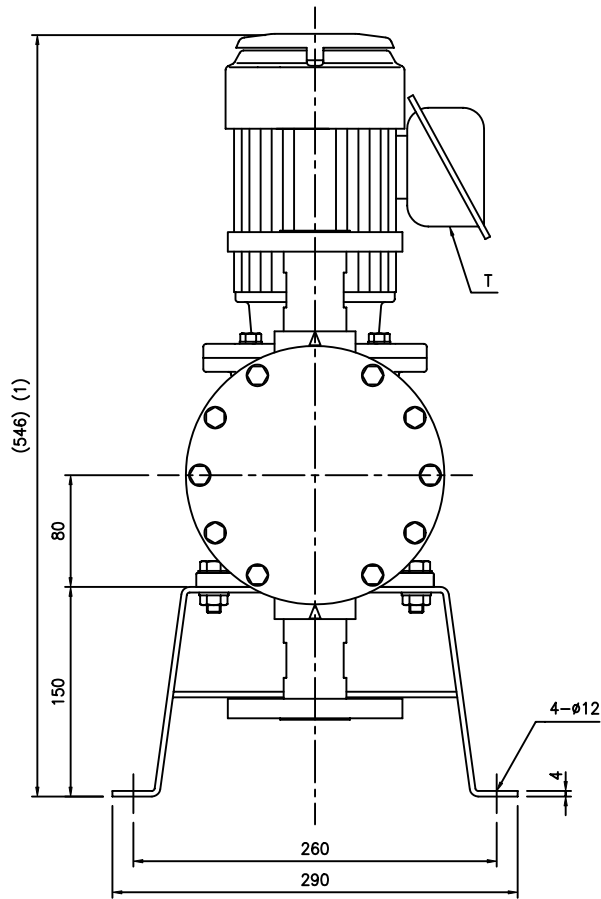
TERMINAL BOX (T)	
HUB SIZE	MAT'L
Ø28	SPCC
PF 3/4"	GC200
PF 1"	GC200

NOTE
1. KDV-14M의 경우 546 에서 562 로 적용할 것.

PUMP MODEL	PUMP SPECIFICATIONS (50Hz/60Hz)				
	KDV-43H-P□□	KDV-63H-P□□	KDV-93M-P□□	KDV-14N-P□□	KDV-14M-P□□
MAXIMUM CAPACITY (ml/min)	3600 / 4400	5500 / 6600	7500 / 9100	9800 / 11800	11500 / 13800
MAX.DIS.PRESSURE (kgf/cm ² G)	8	7	5	4	5
STROKE PER MINUTE (SPM)	48 / 58	48 / 58	96 / 116	96 / 116	96 / 116
ROTATION (MOTOR FAN)	CLOCKWISE				
POWER (kW)	0.4			0.75	
APPROX.WEIGHT(kg)	40			42	

ITEM NO	NO.	DESCRIPTION	SIZE	MAT'L	Q'TY	REMARK
	재질 MAT'L	소재치수 MAT'L DIM	중량 WEIGHT	척도 SCALE	N/S(0.25)	
	FILE NAME	DVPFS-06	도명 TITLE	OUTLINE DRAWING		
	APPROVED		KDV-43H~14M PUMP(FLANGE TYPE)			
	CHECKED					
	DESIGNED		도번 DWG NO	641106		
관련도면	작용품목	DRAWN				
STORAGE NO.	작성부서	DATE				
ORG.DWG	연구개발부	2004.12.04				

MARK	REVISION DESCRIPTION	DATE	DRAWN	APPROVED
△				
△				
△				



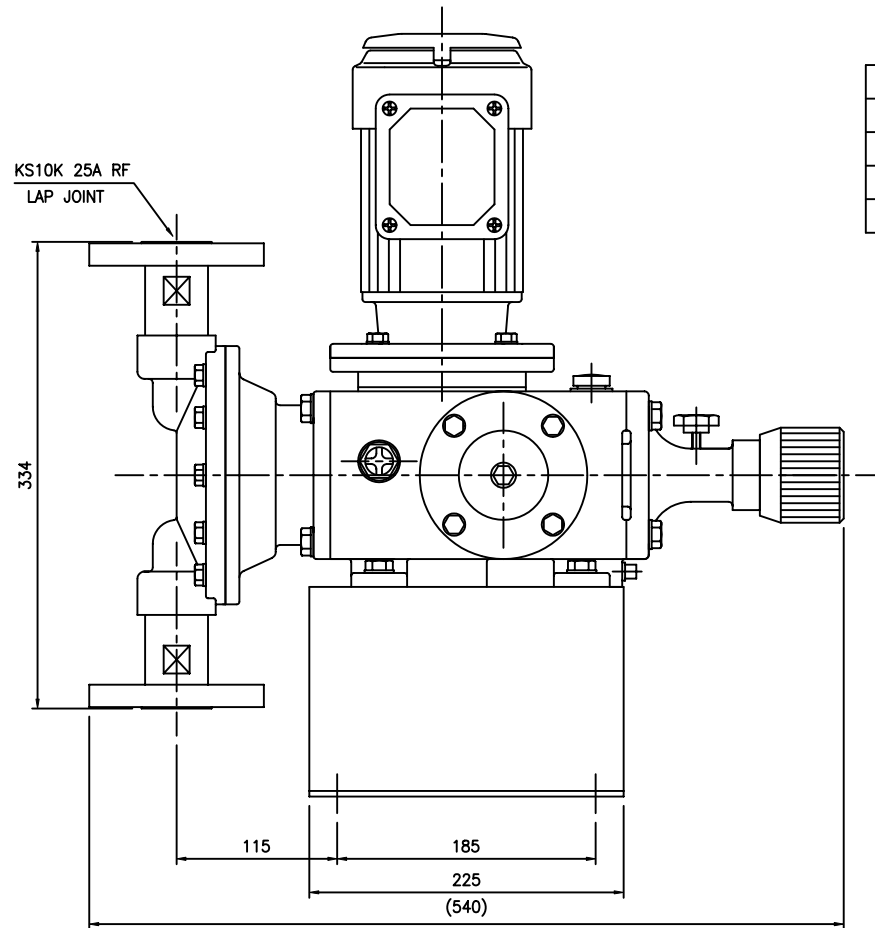
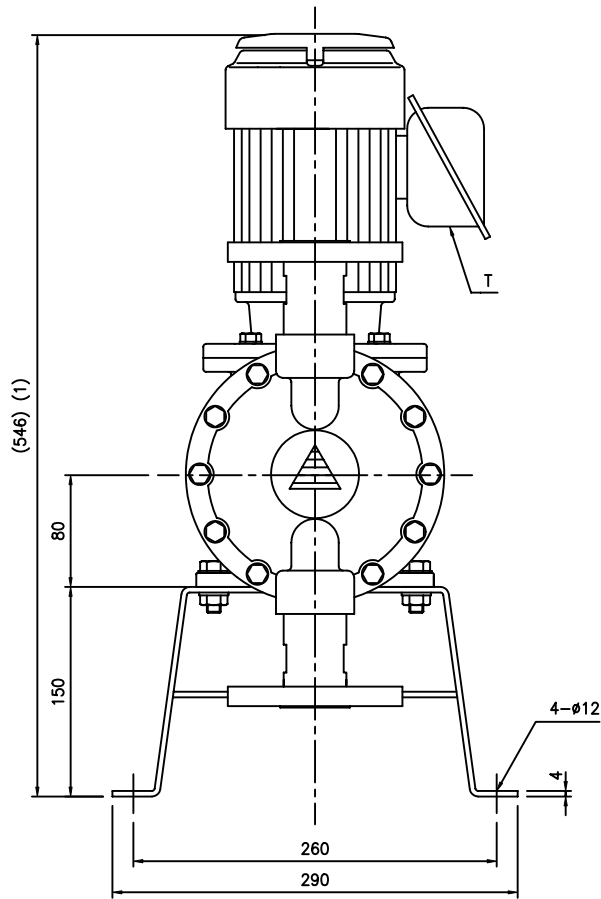
TERMINAL BOX (T)	
HUB SIZE	MAT'L
Ø28	SPCC
PF 3/4"	GC200
PF 1"	GC200

NOTE
1. KDV-14M의 경우 546 에서 562 로 적용할 것.

PUMP SPECIFICATIONS (50Hz/60Hz)					
PUMP MODEL	KDV-43H-F□□	KDV-63H-F□□	KDV-93M-F□□	KDV-14N-F□□	KDV-14M-F□□
MAXIMUM CAPACITY (ml/min)	3600 / 4400	5500 / 6600	7500 / 9100	9800 / 11800	11500 / 13800
MAX.DIS.PRESSURE (kgf/cm ² G)	8	7	5	4	5
STROKE PER MINUTE (SPM)	48 / 58	48 / 58	96 / 116	96 / 116	96 / 116
ROTATION (MOTOR FAN)	CLOCKWISE				
POWER (kW)	0.4			0.75	
APPROX.WEIGHT(kg)	42			44	

ITEM NO	NO.	DESCRIPTION	SIZE	MAT'L	Q'TY	REMARK
		소재 MAT'L	소재 수	MAT'L DIM	중량	WEIGHT
		FILE NAME	DVFFS-06	도명 TITLE	OUTLINE DRAWING	
		APPROVED		KDV-43H~14M PUMP(FLANGE TYPE)		
		CHECKED		도번 DWG NO 641206		
		DESIGNED				
관련도면	적용품목	DRAWN				
STORAGE NO.		작성부서	DATE			
ORG.DWG		연구개발부	2004.12.04			

MARK	REVISION DESCRIPTION	DATE	DRAWN	APPROVED
△				
△				
△				



TERMINAL BOX (T)	
HUB SIZE	MAT'L
Ø28	SPCC
PF 3/4"	GC200
PF 1"	GC200

NOTE
1. KDV-14M의 경우 546 에서 562 로 적용할 것.

PUMP SPECIFICATIONS (50Hz/60Hz)					
PUMP MODEL	KDV-43H-S,6	KDV-63H-S,6	KDV-93M-S,6	KDV-14N-S,6	KDV-14M-S,6
MAXIMUM CAPACITY (ml/min)	3600 / 4400	5500 / 6600	7500 / 9100	9800 / 11800	11500 / 13800
MAX.DIS.PRESSURE (kgf/cm ² G)	8	7	5	4	5
STROKE PER MINUTE (SPM)	48 / 58	48 / 58	96 / 116	96 / 116	96 / 116
ROTATION (MOTOR FAN)	CLOCKWISE				
POWER (kW)	0.4			0.75	
APPROX.WEIGHT(kg)	44			46	

ITEM NO	NO.	DESCRIPTION	SIZE	MAT'L	Q'TY	REMARK
		파일 MAT'L	소재치수 MAT'L DIM	중량 WEIGHT	척도 SCALE	N/S(0.25)
		FILE NAME	DVSFS-06	도명 TITLE	OUTLINE DRAWING	
		APPROVED		KDV-43H~14M PUMP(FLANGE TYPE)		
		CHECKED				
		DESIGNED		도번 DWG NO	641306	
관련도면	적용품목	DRAWN				
STORAGE NO.	작성부서	DATE				
ORG.DWG	연구개발부	2004.12.04				