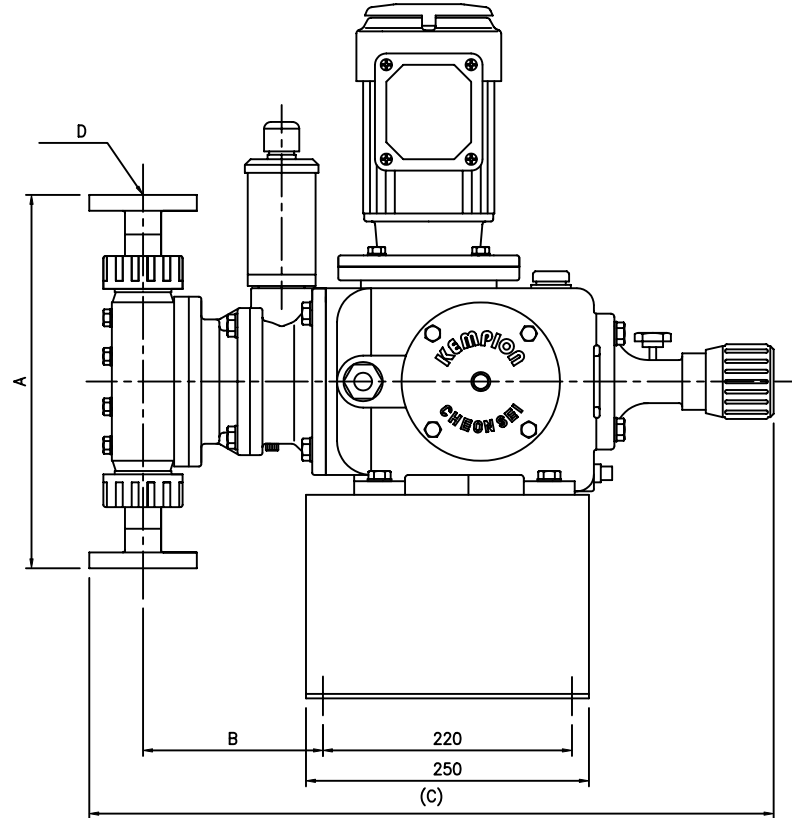
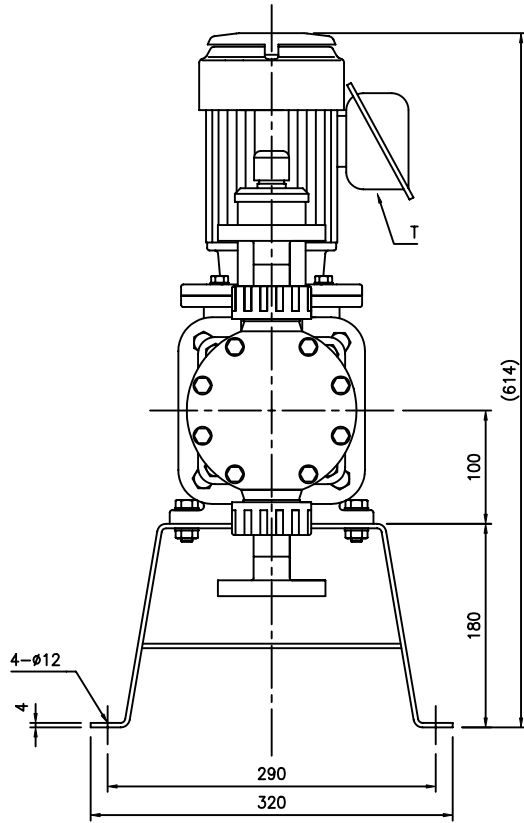


MARK	REVISION DESCRIPTION	DATE	DRAWN	APPROVED
△				
△				
△				



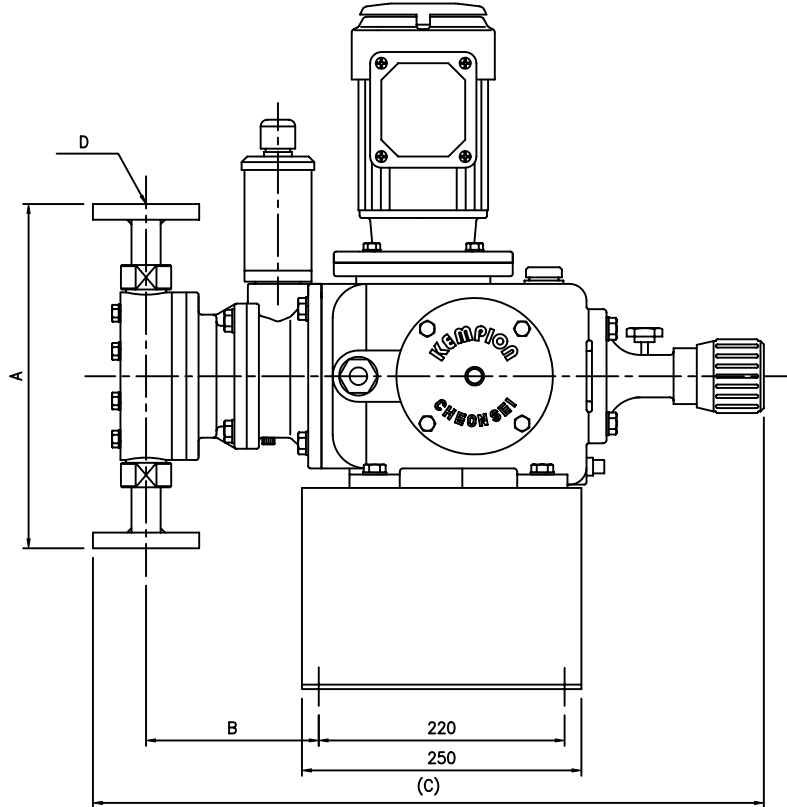
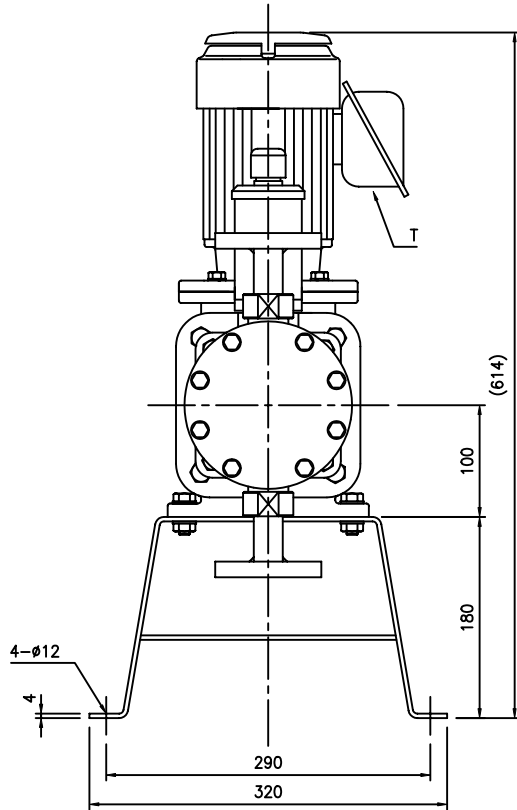
OUTLINE DIMENSIONS (UNIT:mm)					
PUMP MODEL	A	B	C	D	WEIGHT
KHV1-13S-P□□	330	159	605	KS10K15A FF	54.5 kg
KHV1-13S-F□□	322	159	605	KS10K15A FF	55.5 kg
KHV1-23S-P□□	330	159	605	KS10K15A FF	54.5 kg
KHV1-23S-F□□	322	159	605	KS10K15A FF	55.5 kg
KHV1-33S-P□□	320	162	623	KS10K25A FF	55 kg
KHV1-33S-F□□	316	162	623	KS10K25A FF	56 kg
KHV1-63S-P□□	320	162	623	KS10K25A FF	55 kg
KHV1-63S-F□□	316	162	623	KS10K25A FF	56 kg

PUMP SPECIFICATIONS (50Hz/60Hz)				
PUMP MODEL	KHV1-13S	KHV1-23S	KHV1-33S	KHV1-63S
MAXIMUM CAPACITY (ml/min)	915 / 1100	1830 / 2200	2830 / 3400	5660 / 6800
MAX.DIS.PRESSURE (kgf/cm <sup>2</sup> G)	10	10	10	7
STROKE PER MINUTE (SPM)	48 / 58	96 / 116	48 / 58	96 / 116
R/V SET.PRESSURE(kgf/cm <sup>2</sup> G)	13	13	13	9
ROTATION (MOTOR FAN)	CLOCKWISE			
POWER (kW)	0.4			

TERMINAL BOX (T)	
HUB SIZE	MAT'L
ø28	SPCC
PF 3/4"	GC200
PF 1"	GC200

ITEM NO	NO.	DESCRIPTION	SIZE	MAT'L	Q'TY	REMARK
		자재번호	소재명	소재사	소재사	중량
	FILE NAME	HVSPF-03	도명	TITLE	OUTLINE DRAWING	
	APPROVED		KHV1-13S~63S PUMP(FLANGE TYPE)			
	CHECKED		도번 DWG NO 741103			
	DESIGNED					
관련도면	작성부서	DATE				
ORG.DWG	연구개발부	2004.12.30				

MARK	REVISION DESCRIPTION	DATE	DRAWN	APPROVED
△				
△				
△				



OUTLINE DIMENSIONS (UNIT:mm)				
PUMP MODEL	A	B	C	D
KHV1-13S-S,6□□	308	155	601	KS20K15A FF
KHV1-23S-S,6□□				
KHV1-33S-S,6□□	330	157	618	KS10K25A FF
KHV1-63S-S,6□□				

PUMP SPECIFICATIONS (50Hz/60Hz)				
PUMP MODEL	KHV1-13S	KHV1-23S	KHV1-33S	KHV1-63S
MAXIMUM CAPACITY (ml/min)	915 / 1100	1830 / 2200	2830 / 3400	5660 / 6800
MAX.DIS.PRESSURE (kgf/cm <sup>2</sup> G)	20	15	12	7
STROKE PER MINUTE (SPM)	48 / 58	96 / 116	48 / 58	96 / 116
R/V SET.PRESSURE(kgf/cm <sup>2</sup> G)	26	19.5	15.5	9
ROTATION (MOTOR FAN)	CLOCKWISE			
POWER (kW)	0.4			
APPROX.WEIGHT (kg)	61.5		63	

TERMINAL BOX (T)	
HUB SIZE	MAT'L
φ28	SPCC
PF 3/4"	GC200
PF 1"	GC200

ITEM NO	NO.	DESCRIPTION	SIZE	MAT'L	Q'TY	REMARK
		HVSSF-03				OUTLINE DRAWING
		APPROVED				KHV1-13S~63S PUMP(FLANGE TYPE)
		CHECKED				도번 DWG NO 741303
		DESIGNED				
관련도면	작업품목	DRAWN				
STORAGE NO.		작성부서	DATE			
ORG.DWG		연구개발부	2004.12.30			