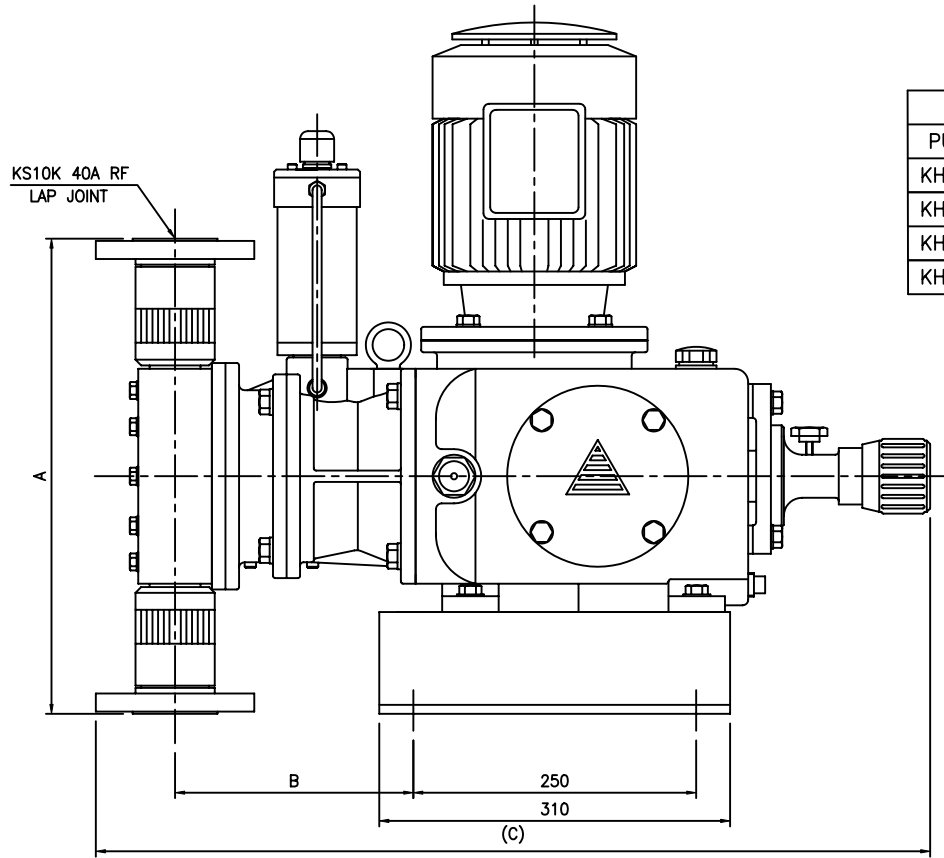
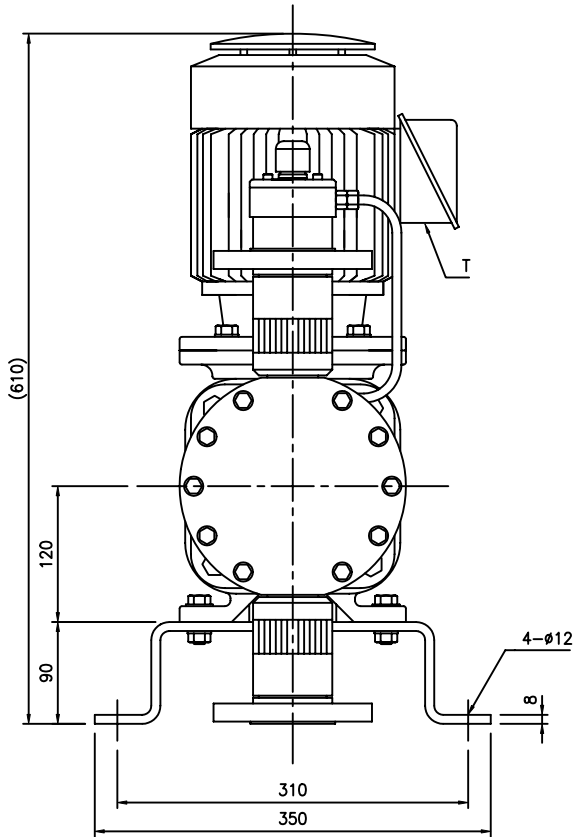


MARK	REVISION DESCRIPTION	DATE	DRAWN	APPROVED
△				
△				



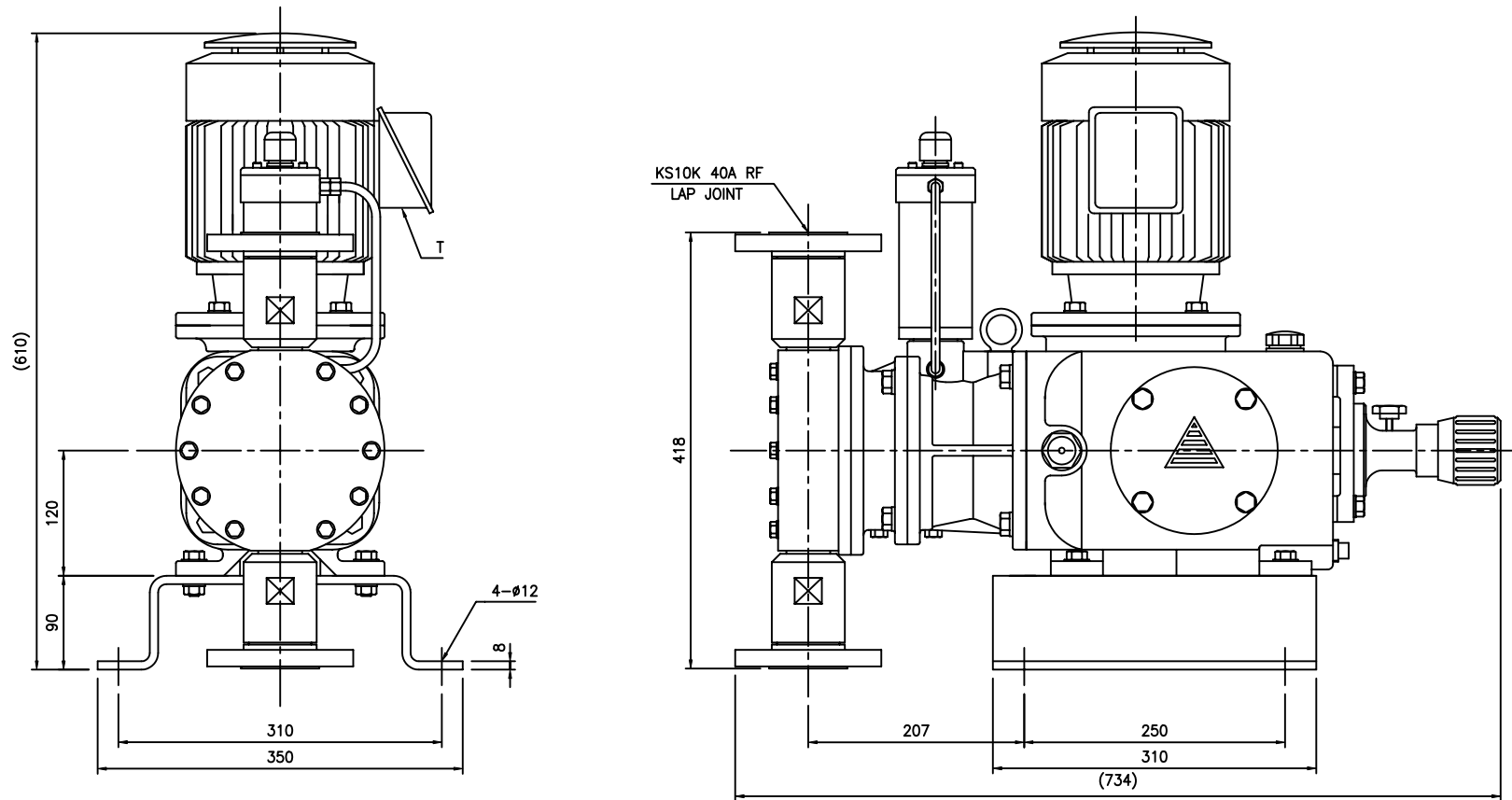
OUTLINE DIMENSIONS (UNIT:mm)				
PUMP MODEL	A	B	C	WEIGHT
KHV1-14S-P□□	420	211	738	85 kg
KHV1-14S-F□□	422	211	738	88 kg
KHV1-24S-P□□	420	211	738	85 kg
KHV1-24S-F□□	422	211	738	88 kg

PUMP SPECIFICATIONS (50Hz/60Hz)		
PUMP MODEL	KHV1-14S	KHV1-24S
MAXIMUM CAPACITY (L/min)	8.75 / 10.5	17.5 / 21
MAX.DIS.PRESSURE (kgf/cm ² G)	8	4
STROKE PER MINUTE (SPM)	48 / 58	96 / 116
R/V SET.PRESSURE(kgf/cm ² G)	10.5	6
ROTATION (MOTOR FAN)	CLOCKWISE	
POWER (kW)	0.75	

TERMINAL BOX (T)	
HUB SIZE	MAT'L
ø28	SPCC
PF 3/4"	GC200
PF 1"	GC200

ITEM NO	NO.	DESCRIPTION	SIZE	MAT'L	Q'TY	REMARK
	자재 MAT'L	소재사수 MAT'L DIM	중량 WEIGHT	척도 SCALE	N/S(0.2)	
	FILE NAME	HVSPF-05	도명TITLE	OUTLINE DRAWING		
	APPROVED		KHV1-14S,24S PUMP(FLANGE TYPE)			
	CHECKED		도번 DWG NO	741106		
	DESIGNED					
관련도면	적용품목	DRAWN				
STORAGE NO.		작성부서	DATE	천세산업 주식회사 CHEON SEI IND. CO.,LTD.		
ORG.DWG		연구개발부	2004.12.30			

MARK	REVISION	DESCRIPTION	DATE	DRAWN	APPROVED
△					
△					



NOTE

1. 적용기준: 접액부 형식이 S□□, 6□□ 일 경우

PUMP SPECIFICATIONS		(50Hz/60Hz)
PUMP MODEL	KHV1-14S	KHV1-24S
MAXIMUM CAPACITY (L/min)	8.75 / 10.5	17.5 / 21
MAX.DIS.PRESSURE (kgf/cm ² G)	8	4
STROKE PER MINUTE (SPM)	48 / 58	96 / 116
R/V SET.PRESSURE(kgf/cm ² G)	10.5	6
ROTATION (MOTOR FAN)	CLOCKWISE	
POWER (kW)	0.75	
APPROX.WEIGHT (kg)	102	

TERMINAL BOX (T)	
HUB SIZE	MAT'L
φ28	SPCC
PF 3/4"	GC200
PF 1"	GC200

ITEM NO	NO.	DESCRIPTION	SIZE	MAT'L	Q'TY	REMARK
		파일 MAT'L	소재사수 MAT'L DIM	중량 WEIGHT	척도 SCALE	N/S(0.2)
		FILE NAME	HVSSF-05	도명 TITLE	OUTLINE DRAWING	
		APPROVED			KHV1-14S,24S PUMP(FLANGE TYPE)	
		CHECKED			도번 DWG NO 741306	
		DESIGNED				
관련도면	작용품목	DRAWN				
STORAGE NO.		작성부서	DATE	천세산업 주식회사 CHEON SEI IND. CO.,LTD.		
ORG.DWG		연구개발부	2004.12.30			