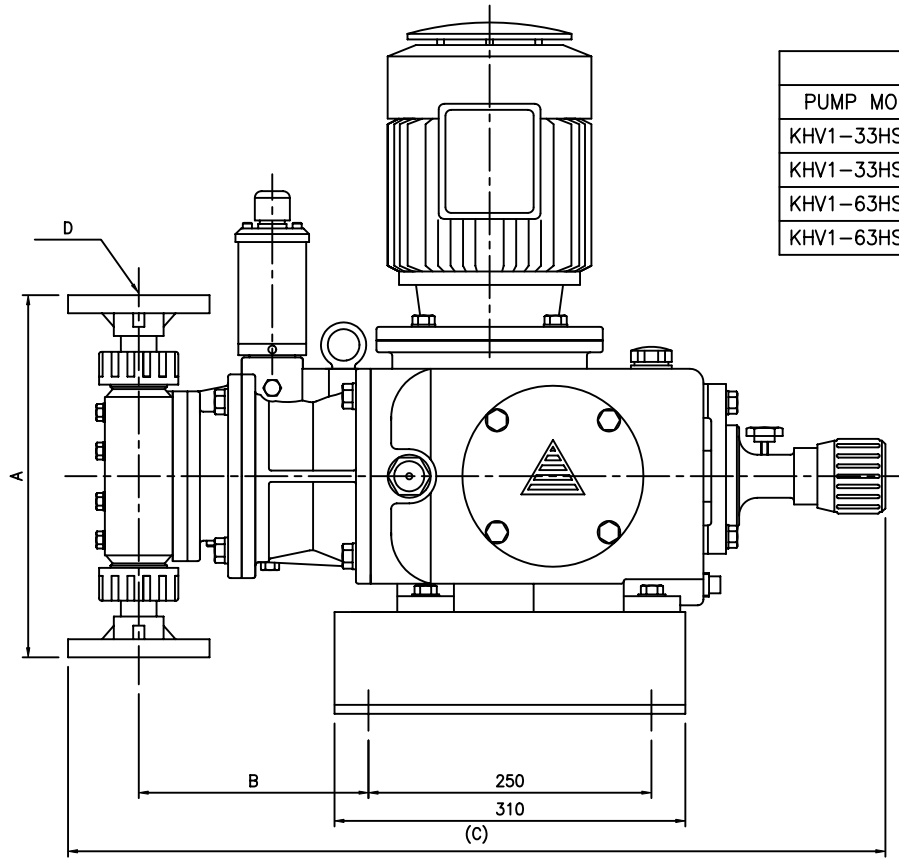
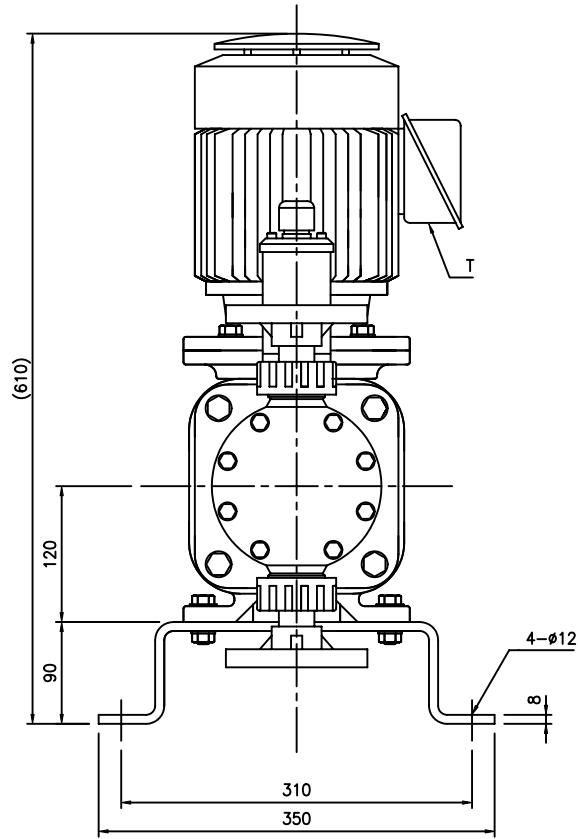


MARK	REVISION DESCRIPTION	DATE	DRAWN	APPROVED
△				
△				



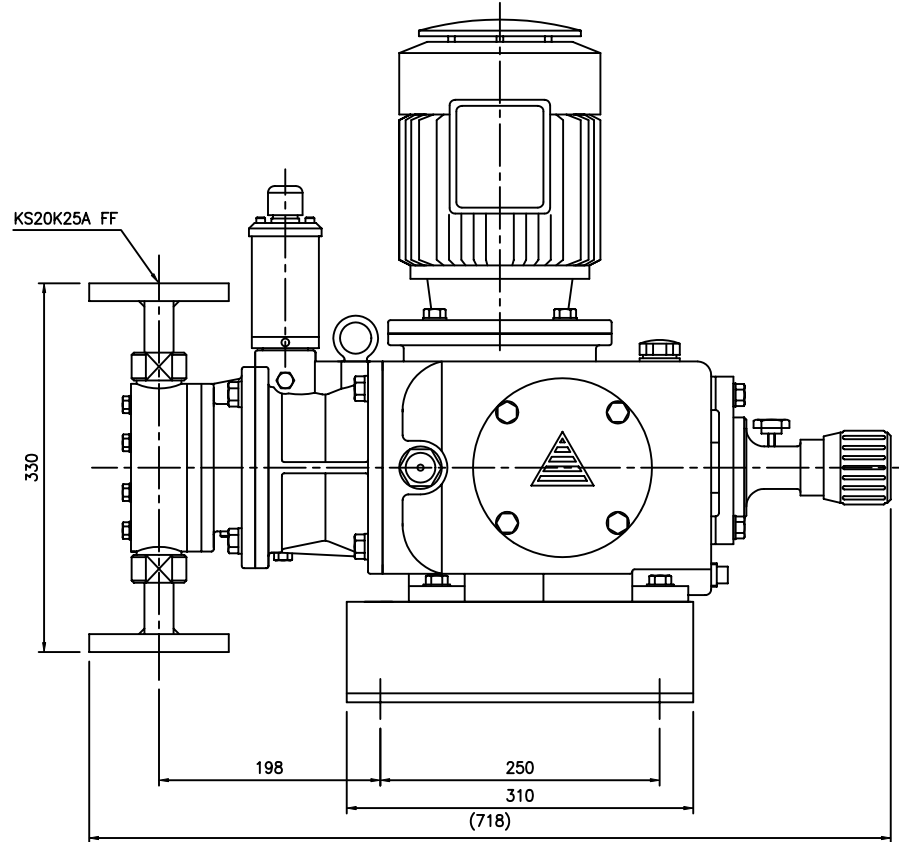
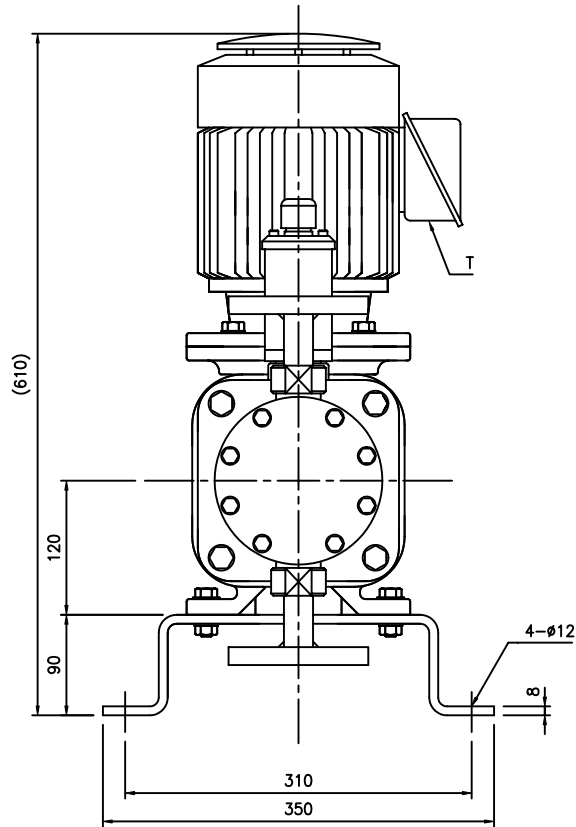
OUTLINE DIMENSIONS (UNIT:mm)					
PUMP MODEL	A	B	C	D	WEIGHT
KHV1-33HS-P□□	320	203	723	KS10K25A FF	80 kg
KHV1-33HS-F□□	316	203	723	KS10K25A FF	81 kg
KHV1-63HS-P□□	320	203	723	KS10K25A FF	80 kg
KHV1-63HS-F□□	316	203	723	KS10K25A FF	81 kg

PUMP SPECIFICATIONS (50Hz/60Hz)		
PUMP MODEL	KHV1-33HS	KHV1-63HS
MAXIMUM CAPACITY (L/min)	2.83 / 3.4	5.66 / 6.8
MAX.DIS.PRESSURE (kgf/cm ² G)	10	10
STROKE PER MINUTE (SPM)	48 / 58	96 / 116
R/V SET.PRESSURE(kgf/cm ² G)	13	13
ROTATION (MOTOR FAN)	CLOCKWISE	
POWER (kW)	0.75	

TERMINAL BOX (T)	
HUB SIZE	MAT'L
Ø28	SPCC
PF 3/4"	GC200
PF 1"	GC200

ITEM NO	NO.	DESCRIPTION	SIZE	MAT'L	Q'TY	REMARK
	파일 MAT'L	소재사 MAT'L DIM	중량 WEIGHT	척도 SCALE	N/S(0.2)	
	FILE NAME	HVSPF-04	도명TITLE	OUTLINE DRAWING		
	APPROVED		KHV1-33HS,63HS PUMP(FLANGE TYPE)			
	CHECKED		도번 DWG NO	741105		
	DESIGNED					
관련도면	적용품목	DRAWN				
STORAGE NO.	작성부서	DATE				
ORG.DWG	연구개발부	2004.12.30				

MARK	REVISION DESCRIPTION	DATE	DRAWN	APPROVED
△				
△				



NOTE

1. 적용기준: 접액부 형식이 S□□, 6□□ 일 경우

PUMP SPECIFICATIONS		(50Hz/60Hz)	
PUMP MODEL	KHV1-33HS	KHV1-63HS	
MAXIMUM CAPACITY (L/min)	2.83 / 3.4	5.66 / 6.8	
MAX.DIS.PRESSURE (kgf/cm ² G)	20	14	
STROKE PER MINUTE (SPM)	48 / 58	96 / 116	
R/V SET.PRESSURE(kgf/cm ² G)	26	18	
ROTATION (MOTOR FAN)	CLOCKWISE		
POWER (kW)	0.75		
APPROX.WEIGHT (kg)	88		

TERMINAL BOX (T)	
HUB SIZE	MAT'L
φ28	SPCC
PF 3/4"	GC200
PF 1"	GC200

ITEM NO	NO.	DESCRIPTION	SIZE	MAT'L	Q'TY	REMARK
		파일 MAT'L	소재사수 MAT'L DIM	중량 WEIGHT	척도 SCALE	N/S(0.2)
		FILE NAME	HVSSF-04	도명 TITLE	OUTLINE DRAWING	
		APPROVED		KHV1-33HS,63HS PUMP(FLANGE TYPE)		
		CHECKED		도번 DWG NO 741305		
		DESIGNED				
관련도면	작업품목	DRAWN				
STORAGE NO.		작성부서	DATE			
ORG.DWG		연구개발부	2004.12.30			