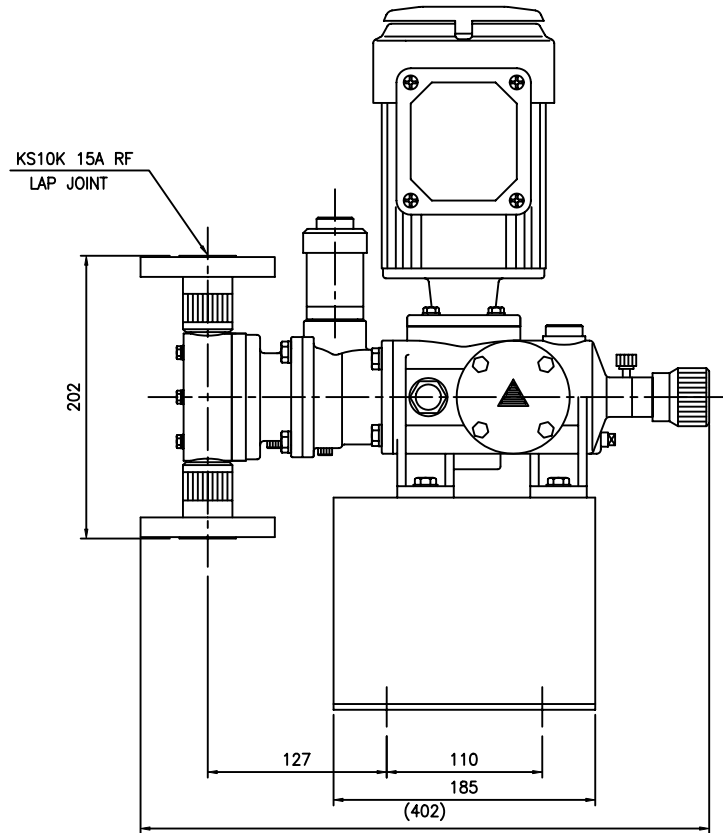
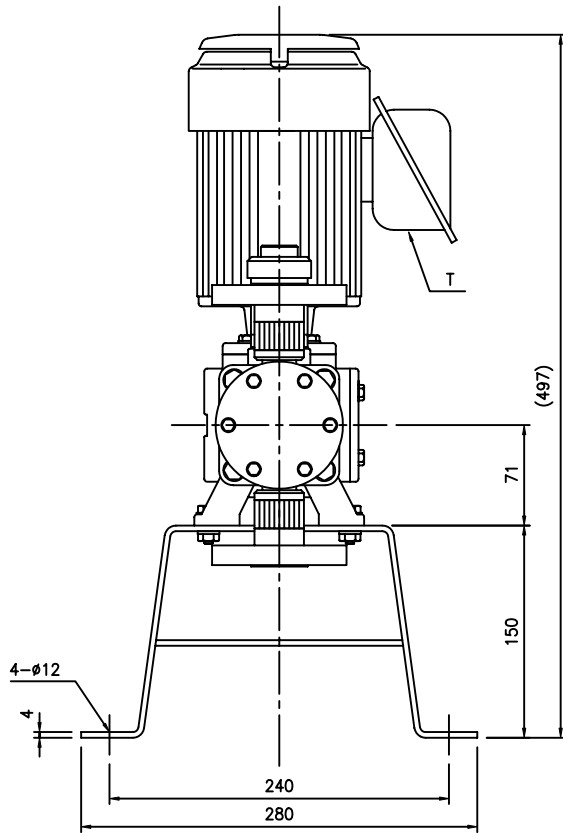


MARK	REVISION DESCRIPTION	DATE	DRAWN	APPROVED
△				
△				
△				



NOTE

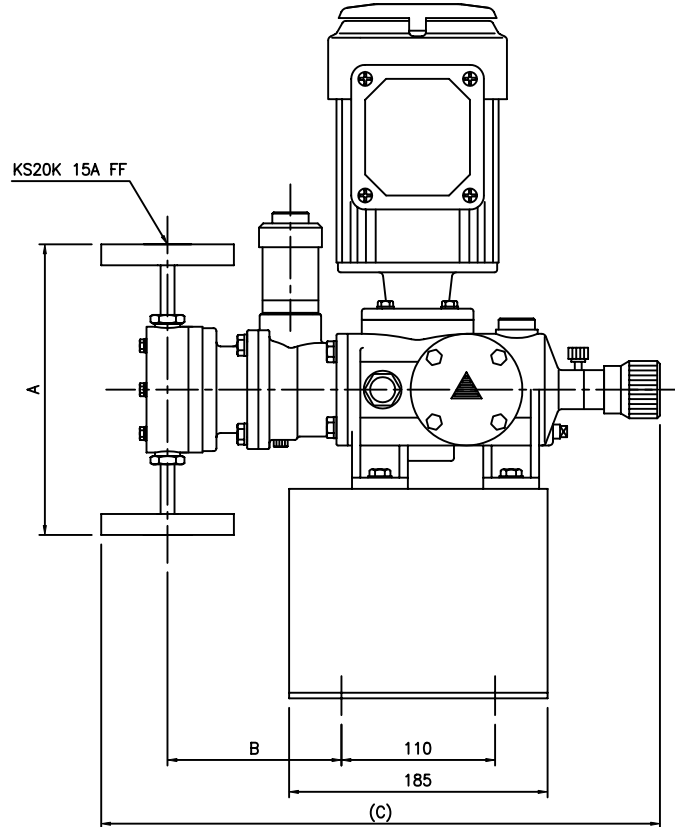
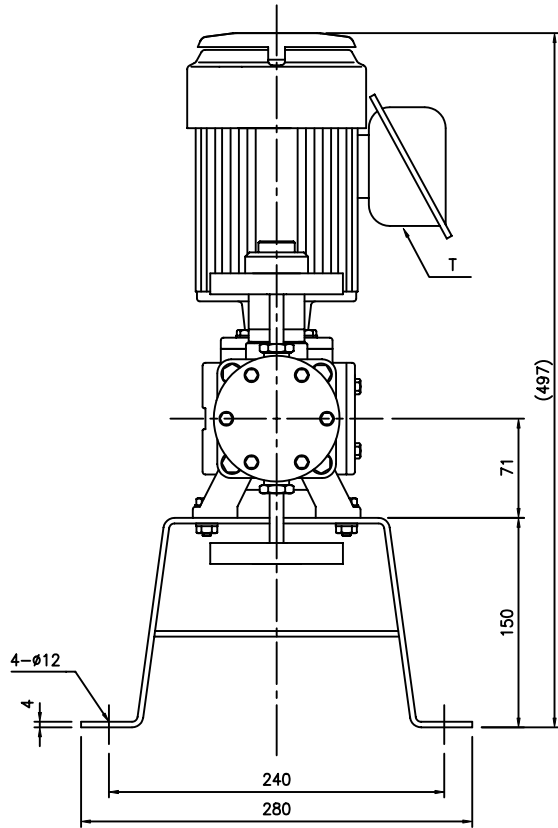
1. 적용기준: 접액부 형식이 P<sub>00</sub>, F<sub>00</sub> 일 경우

PUMP MODEL	PUMP SPECIFICATIONS (50Hz/60Hz)			
	KHV1-51S	KHV1-12S	KHV1-32S	KHV1-72S
MAXIMUM CAPACITY (ml/min)	40 / 50	80 / 100	300 / 360	600 / 720
MAX.DIS.PRESSURE (kgf/cm <sup>2</sup> G)	10	10	10	10
STROKE PER MINUTE (SPM)	48 / 58	96 / 116	48 / 58	96 / 116
R/V SET.PRESSURE(kgf/cm <sup>2</sup> G)	13	13	13	13
ROTATION (MOTOR FAN)	CLOCKWISE			
POWER (kW)	0.2			
APPROX.WEIGHT (kg)	17.5		18	

TERMINAL BOX (T)	
HUB SIZE	MAT'L
φ28	SPCC
PF 3/4"	GC200
PF 1"	GC200

ITEM NO	NO.	DESCRIPTION	SIZE	MAT'L	Q'TY	REMARK
		자재번호	소재명	소재수	MAT'L DIM	중량
	FILE NAME	HVSPF-01	도명	TITLE	OUTLINE DRAWING	
	APPROVED		KHV1-51S~72S PUMP(FLANGE TYPE)			
	CHECKED			도번	DWG NO	741101
	DESIGNED					
	DRAWN					
STORAGE NO.	작성부서	DATE	<b>천세산업 주식회사</b> CHEON SEI IND. CO.,LTD.			
ORG.DWG	연구개발부	2004.12.30				

MARK	REVISION DESCRIPTION	DATE	DRAWN	APPROVED
△				
△				
△				



OUTLINE DIMENSIONS (UNIT:mm)			
PUMP MODEL	A	B	C
KHV1-51S-S,6□□	208	125	400
KHV1-12S-S,6□□			
KHV1-32S-S,6□□	218	127	402
KHV1-72S-S,6□□			

TERMINAL BOX (T)	
HUB SIZE	MAT'L
ø28	SPCC
PF 3/4"	GC200
PF 1"	GC200

PUMP SPECIFICATIONS (50Hz/60Hz)				
PUMP MODEL	KHV1-51S	KHV1-12S	KHV1-32S	KHV1-72S
MAXIMUM CAPACITY (ml/min)	40 / 50	80 / 100	300 / 360	600 / 720
MAX.DIS.PRESSURE (kgf/cm <sup>2</sup> G)	30	30	25	20
STROKE PER MINUTE (SPM)	48 / 58	96 / 116	48 / 58	96 / 116
R/V SET.PRESSURE(kgf/cm <sup>2</sup> G)	36	36	32	26
ROTATION (MOTOR FAN)	CLOCKWISE			
POWER (kW)	0.2			
APPROX.WEIGHT (kg)	19.5		20	

ITEM NO	NO.	DESCRIPTION	SIZE	MAT'L	Q'TY	REMARK
		파일 MAT'L	소재사수 MAT'L DIM	중량 WEIGHT	척도 SCALE	N/S(0.25)
		FILE NAME	HVSSF-01	도명 TITLE	OUTLINE DRAWING	
		APPROVED		KHV1-51S~72S PUMP(FLANGE TYPE)		
		CHECKED				
		DESIGNED		도번 DWG NO	741301	
관련도면	작업품목	DRAWN				
STORAGE NO.		작성부서	DATE	천세산업 주식회사 CHEON SEI IND. CO.,LTD.		
ORG.DWG		연구개발부	2004.12.30			