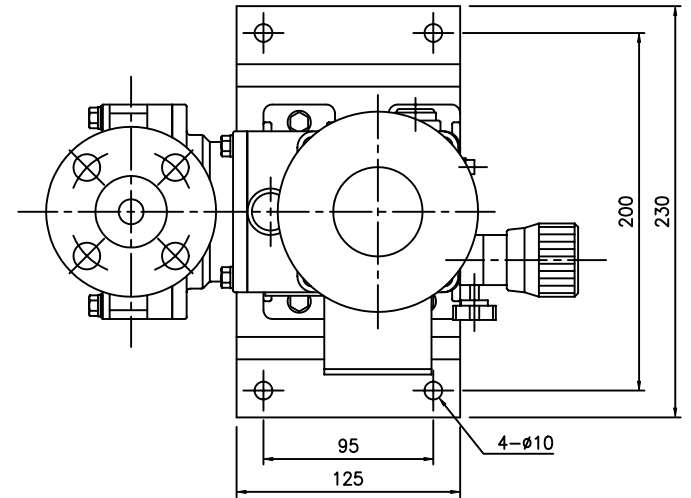
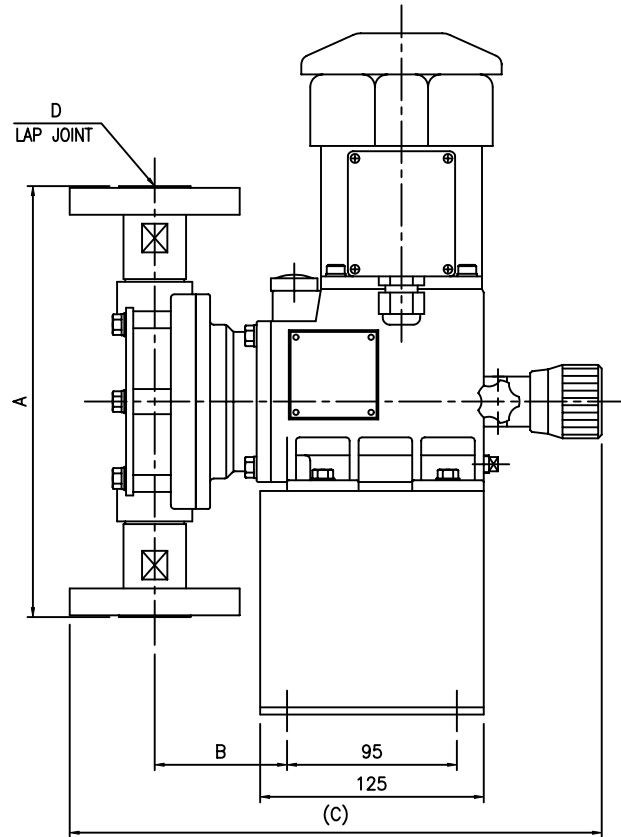
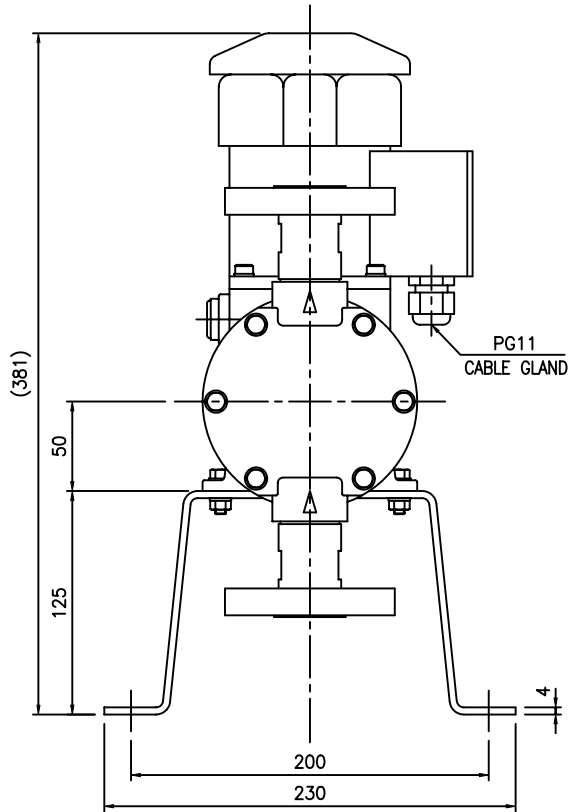


MARK	REVISION DESCRIPTION	DATE	DRAWN	APPROVED
△				
△				

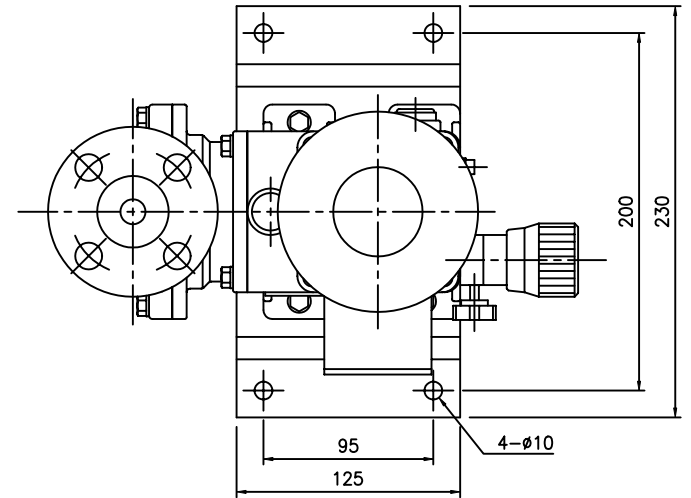
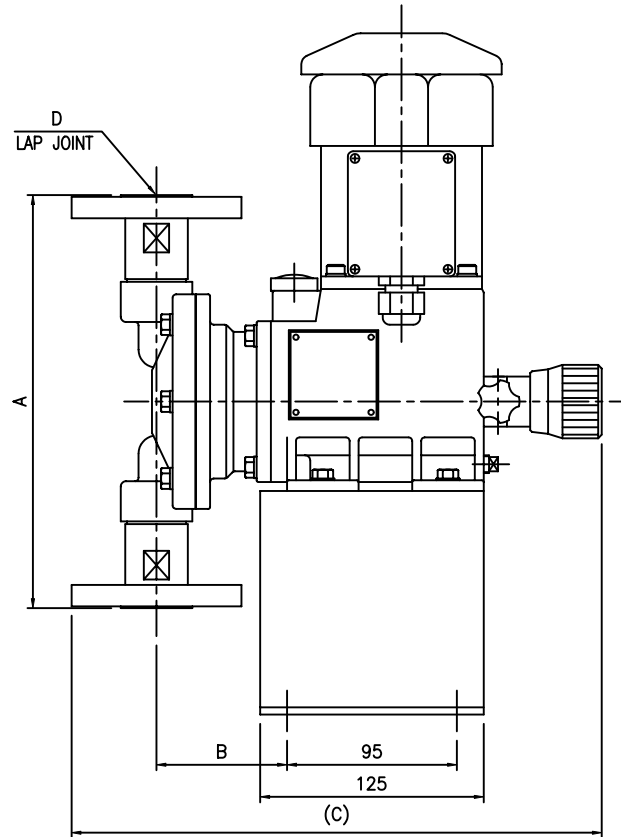
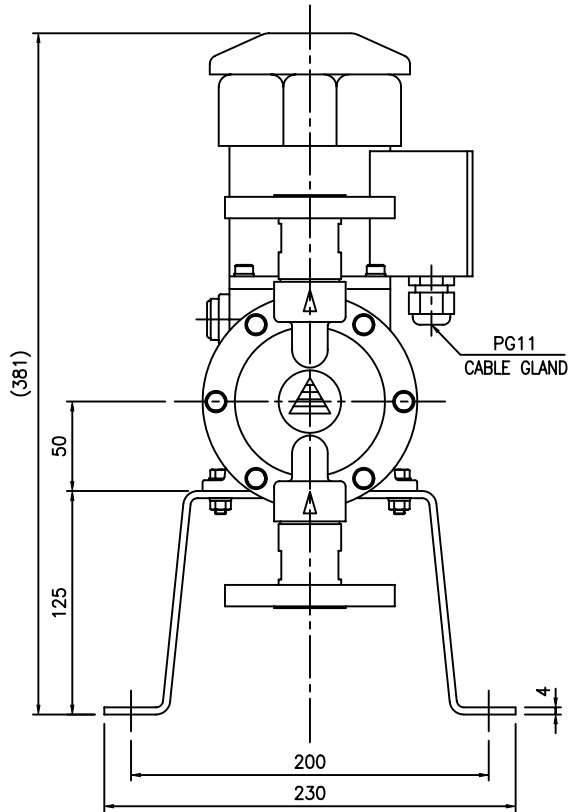


DIMENSIONS (mm)					
PUMP MODEL	A	B	C	D	WEIGHT(kg)
KM-212-P□□	241	74	298	KS10K 15A RF	9.9
KM-212-F□□					10.0

PUMP SPECIFICATIONS (50Hz/60Hz)	
PUMP MODEL	KM-212
MAX.CAPACITY (ml/min)	1792 / 2150
MAX.DIS.PRESSURE (bar)	3
STROKE PER MINUTE (SPM)	95 / 114
ROTATION (MOTOR FAN)	CLOCKWISE
POWER (W)	60

ITEM NO	NO.	DESCRIPTION	SIZE	MAT'L	Q'TY	REMARK
		소재명 MAT'L	소재치수 MAT'L DIM	중량 WEIGHT	척도 SCALE	N/S(0.32)
		FILE NAME	GOSPF-03	도명 TITLE	OUTLINE DRAWING	
		APPROVED			KM-212 PUMP (FLANGE TYPE)	
		CHECKED				
		DESIGNED			도번 DWG NO	G41103 △ 0
관련도면	작용품목	DRAWN				
STORAGE NO.	작성부서	DATE				
ORG.DWG	연구개발부	2004.10.20				

MARK	REVISION DESCRIPTION	DATE	DRAWN	APPROVED
△				
△				



DIMENSIONS (mm)					
PUMP MODEL	A	B	C	D	WEIGHT(kg)
KM-212-S□□	231	73	297	KS10K 15A RF	11.8
KM-212-6□□					

PUMP SPECIFICATIONS (50Hz/60Hz)	
PUMP MODEL	KM-212
MAX.CAPACITY (ml/min)	1792 / 2150
MAX.DIS.PRESSURE (bar)	3
STROKE PER MINUTE (SPM)	95 / 114
ROTATION (MOTOR FAN)	CLOCKWISE
POWER (W)	60

ITEM NO	NO.	DESCRIPTION	SIZE	MAT'L	Q'TY	REMARK
		소재명 MAT'L	소재치수 MAT'L DIM	중량 WEIGHT	척도 SCALE	N/S(0.32)
		FILE NAME	GOSSF-03	도명 TITLE	OUTLINE DRAWING	
		APPROVED		KM-212 PUMP (FLANGE TYPE)		
		CHECKED				
		DESIGNED		도번 DWG NO	G41303	△ 0
관련도면	작용품목	DRAWN				
STORAGE NO.	작성부서	DATE	2004.10.20	<b>천세산업 주식회사</b> CHEON SEI IND. CO.,LTD.		
ORG.DWG	연구개발부					