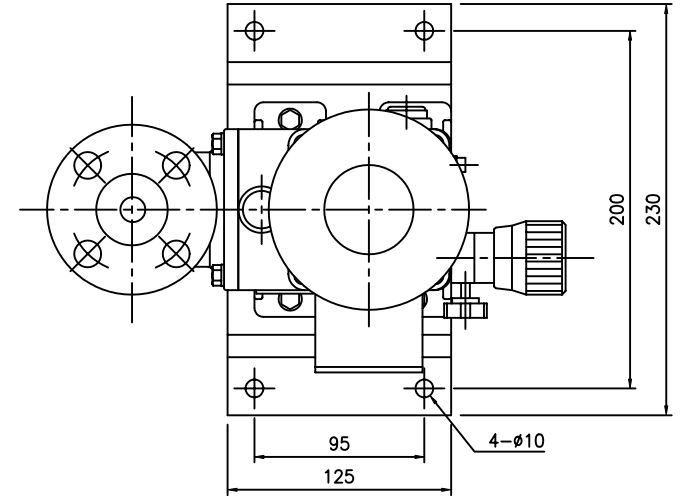
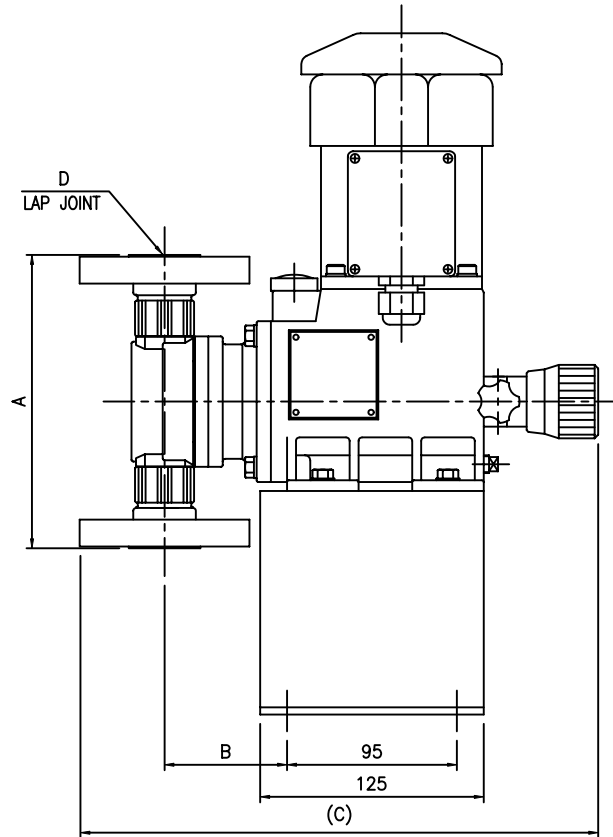
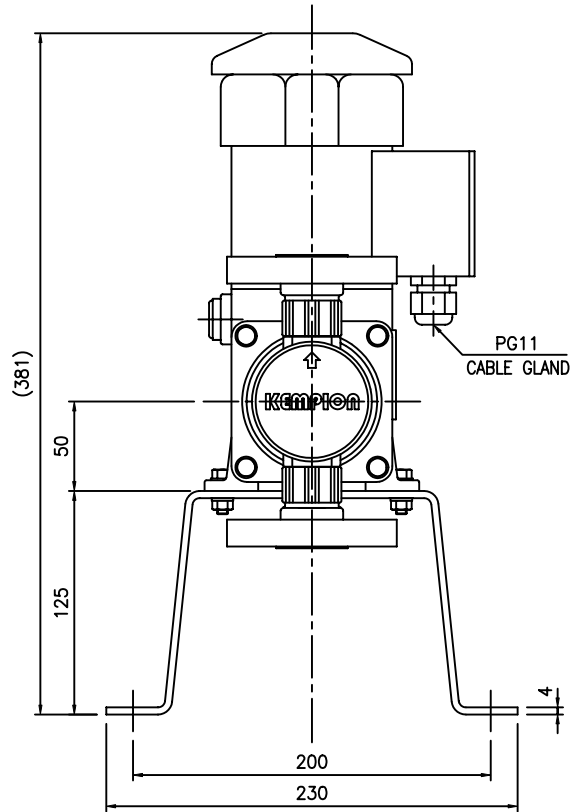


MARK	REVISION DESCRIPTION	DATE	DRAWN	APPROVED
△				
△				

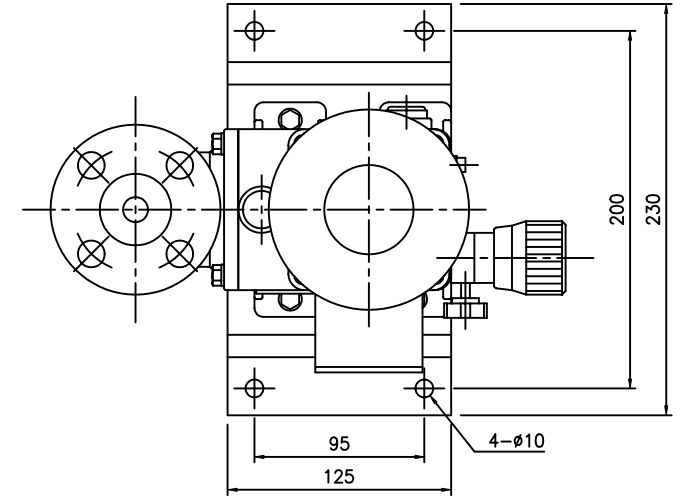
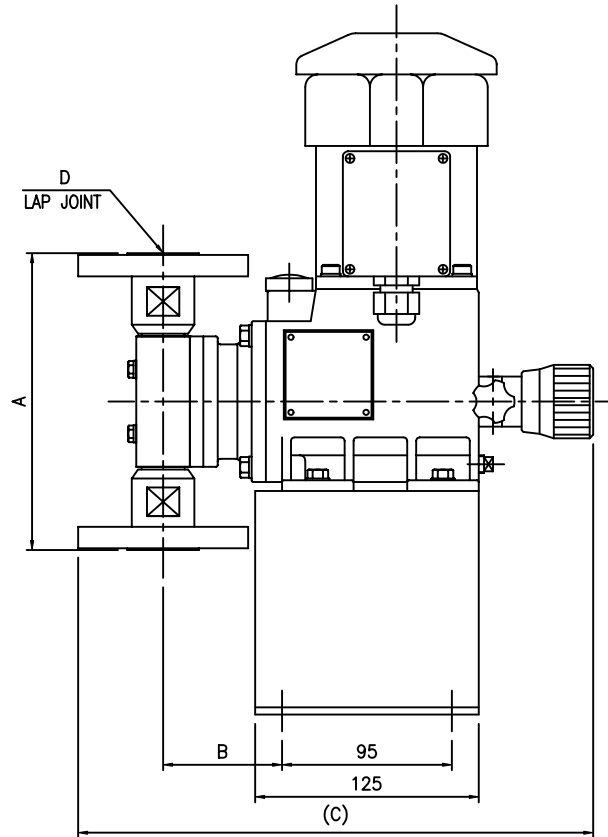
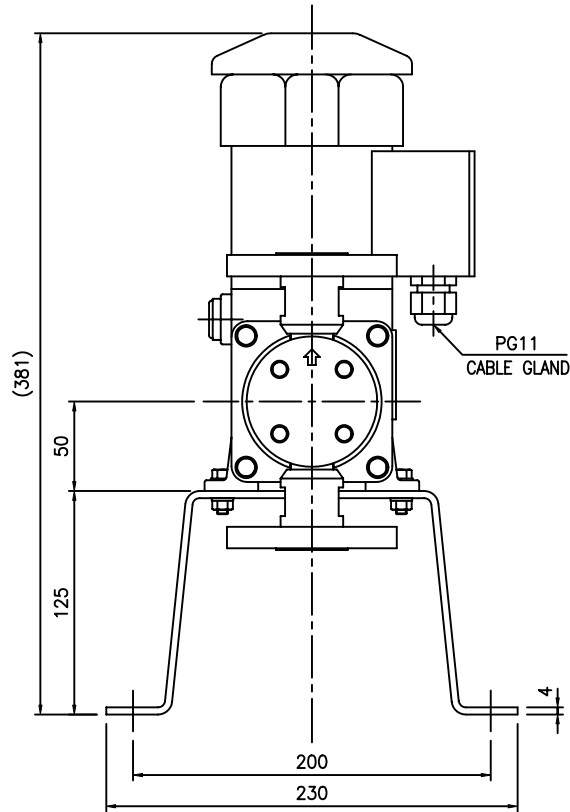


DIMENSIONS (mm)					
PUMP MODEL	A	B	C	D	WEIGHT(kg)
KM-500-P□□	164	69	290	KS10K 15A RF	8.6
KM-500-F□□					8.7
KM-121-P□□	164	69	291	KS10K 15A RF	8.6
KM-121-F□□					8.7
KM-251-P□□	164	68	290	KS10K 15A RF	8.6
KM-251-F□□					8.7

PUMP SPECIFICATIONS (50Hz/60Hz)			
PUMP MODEL	KM-500	KM-121	KM-251
MAX.CAPACITY (ml/min)	42 / 50	104 / 125	213 / 255
MAX.DIS.PRESSURE (bar)	10	10	10
STROKE PER MINUTE (SPM)	95 / 114		
ROTATION (MOTOR FAN)	CLOCKWISE		
POWER (W)	60		

ITEM NO	NO.	DESCRIPTION	SIZE	MAT'L	Q'TY	REMARK
		소재명 MAT'L	소재사수 MAT'L DIM	중량 WEIGHT	척도 SCALE	N/S(0.32)
		FILE NAME	GOSPF-01	도명 TITLE	OUTLINE DRAWING	
		APPROVED		KM-500~251 PUMP (FLANGE TYPE)		
		CHECKED		도번 DWG NO		
		DESIGNED		G41101 △0		
관련도면	작용품목	DRAWN				
STORAGE NO.	작성부서	DATE				
ORG.DWG	연구개발부	2004.10.20				

MARK	REVISION DESCRIPTION	DATE	DRAWN	APPROVED
△				
△				



DIMENSIONS (mm)					
PUMP MODEL	A	B	C	D	WEIGHT(kg)
KM-500-S□□	166	67	288	KS10K 15A RF	10.8
KM-500-6□□					
KM-121-S□□	166	67	289	KS10K 15A RF	10.8
KM-121-6□□					
KM-251-S□□	166	68	290	KS10K 15A RF	10.8
KM-251-6□□					

PUMP SPECIFICATIONS (50Hz/60Hz)			
PUMP MODEL	KM-500	KM-121	KM-251
MAX.CAPACITY (ml/min)	42 / 50	104 / 125	213 / 255
MAX.DIS.PRESSURE (bar)	10	10	10
STROKE PER MINUTE (SPM)	95 / 114		
ROTATION (MOTOR FAN)	CLOCKWISE		
POWER (W)	60		

ITEM NO	NO.	DESCRIPTION	SIZE	MAT'L	Q'TY	REMARK
		소재명 MAT'L	소재치수 MAT'L DIM	중량 WEIGHT		척도 SCALE N/S(0.32)
		FILE NAME	GOSSF-01	도명 TITLE	OUTLINE DRAWING	
		APPROVED		KM-500~251 PUMP (FLANGE TYPE)		
		CHECKED		도번 DWG NO		
		DESIGNED		G41301 △0		
관련도면	작용품목	DRAWN				
STORAGE NO.	작성부서	DATE				
ORG.DWG	연구개발부	2004.10.20				