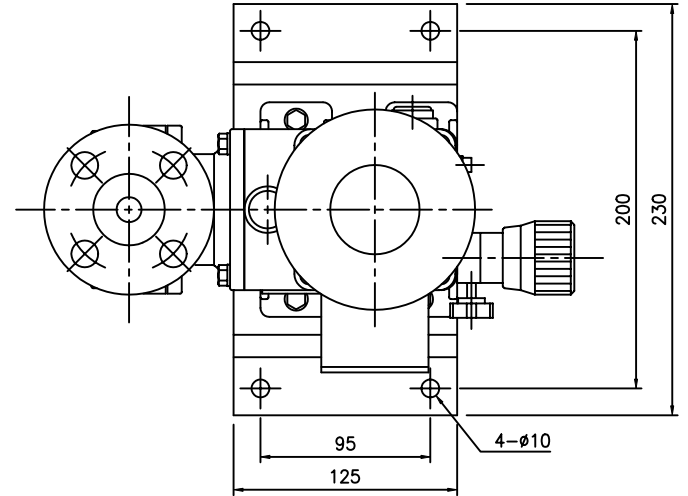
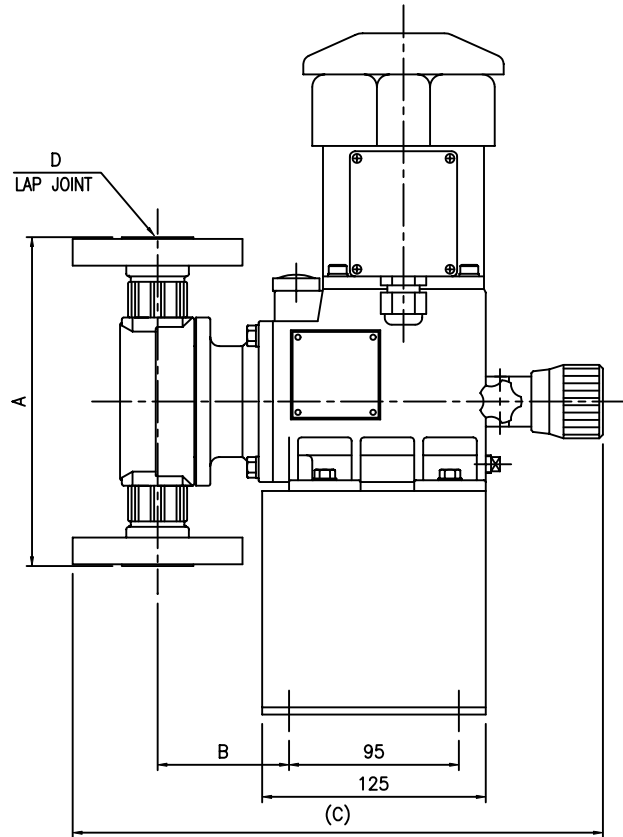
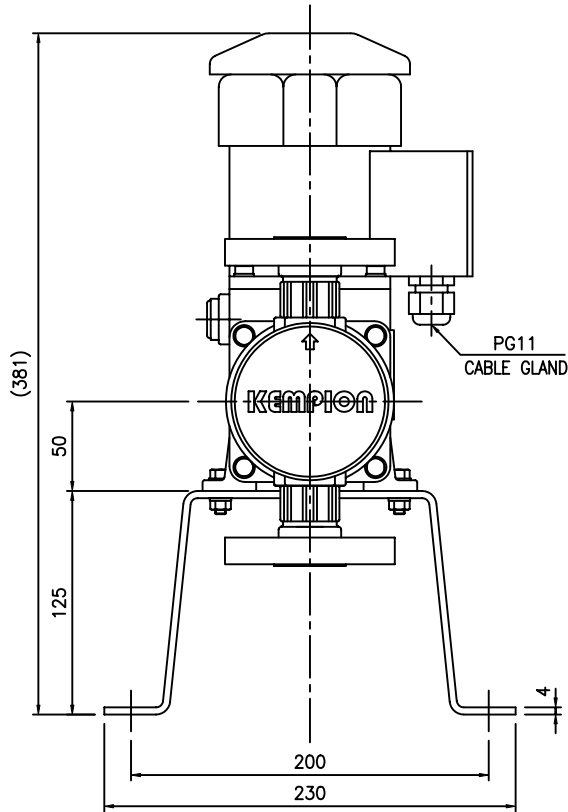


MARK	REVISION DESCRIPTION	DATE	DRAWN	APPROVED
△				
△				

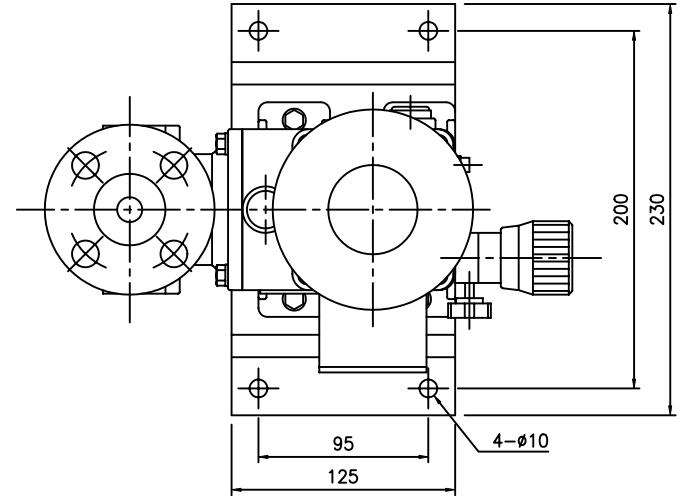
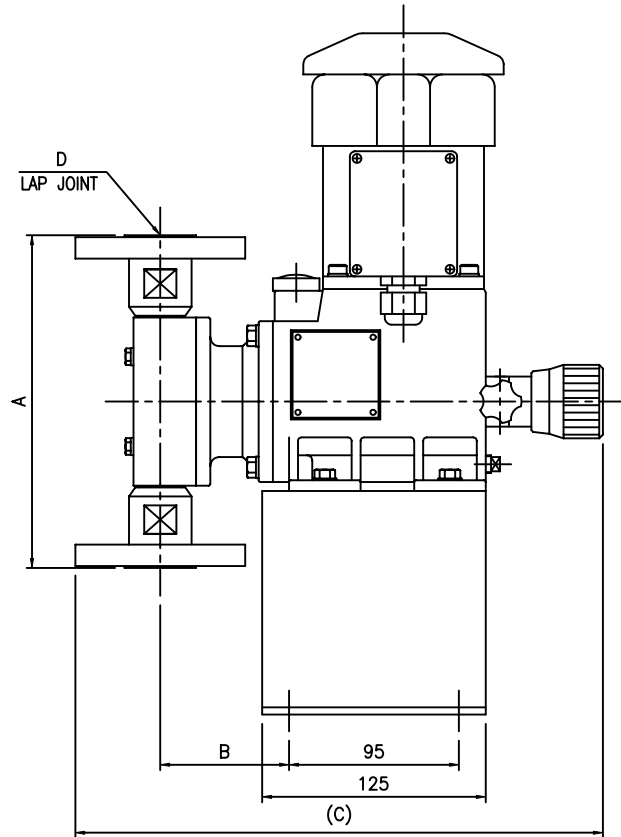
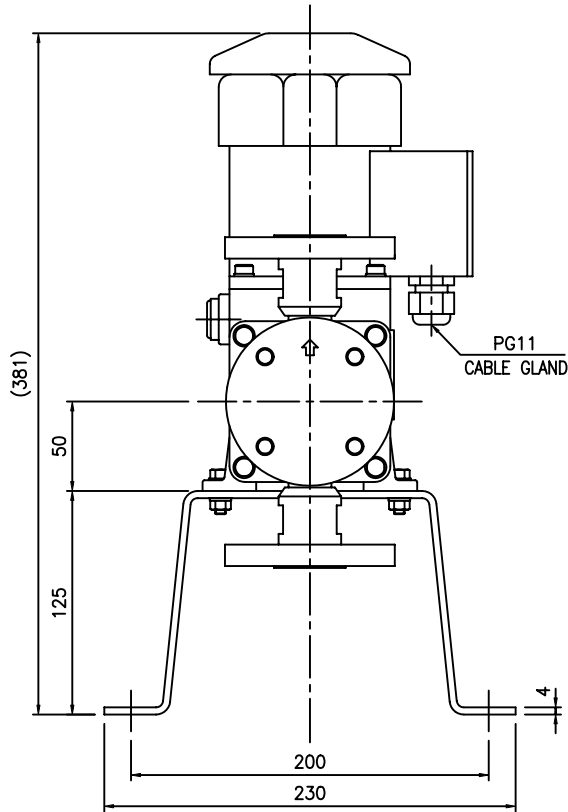


DIMENSIONS (mm)					
PUMP MODEL	A	B	C	D	WEIGHT(kg)
KM-521-P□□	184	73	296	KS10K 15A RF	8.9
KM-521-F□□					9.0
KM-102-P□□	190	73	296	KS10K 15A RF	8.9
KM-102-F□□					9.0

PUMP SPECIFICATIONS (50Hz/60Hz)		
PUMP MODEL	KM-521	KM-102
MAX.CAPACITY (ml/min)	433 / 520	854 / 1025
MAX.DIS.PRESSURE (bar)	7	5
STROKE PER MINUTE (SPM)	95 / 114	
ROTATION (MOTOR FAN)	CLOCKWISE	
POWER (W)	60	

ITEM NO	NO.	DESCRIPTION	SIZE	MAT'L	Q'TY	REMARK
		소재명 MAT'L	소재치수 MAT'L DIM	중량 WEIGHT		척도 SCALE N/S(0.32)
		FILE NAME	GOSPF-02	도명 TITLE	OUTLINE DRAWING	
		APPROVED			KM-521,102 PUMP (FLANGE TYPE)	
		CHECKED				
		DESIGNED				
관련도면	작용품목	DRAWN				도번 DWG NO G41102 △0
STORAGE NO.	작성부서	DATE				
ORG.DWG	연구개발부	2004.10.20				

MARK	REVISION DESCRIPTION	DATE	DRAWN	APPROVED
△				
△				



DIMENSIONS (mm)					
PUMP MODEL	A	B	C	D	WEIGHT(kg)
KM-521-S□□	186	72	295	KS10K 15A RF	11.8
KM-521-6□□					
KM-102-S□□	192	73	296	KS10K 15A RF	12.0
KM-102-6□□					

PUMP SPECIFICATIONS (50Hz/60Hz)		
PUMP MODEL	KM-521	KM-102
MAX.CAPACITY (ml/min)	433 / 520	854 / 1025
MAX.DIS.PRESSURE (bar)	7	5
STROKE PER MINUTE (SPM)	95 / 114	
ROTATION (MOTOR FAN)	CLOCKWISE	
POWER (W)	60	

ITEM NO	NO.	DESCRIPTION	SIZE	MAT'L	Q'TY	REMARK
		파일 MAT'L	소재사수 MAT'L DIM	중량 WEIGHT		척도 SCALE N/S(0.32)
		FILE NAME	GOSSF-02	도명 TITLE	OUTLINE DRAWING	
		APPROVED			KM-521,102 PUMP (FLANGE TYPE)	
		CHECKED			도번 DWG NO G41302 △0	
		DESIGNED				
관련도면	작용품목	DRAWN				
STORAGE NO.	작성부서	DATE				
ORG.DWG	연구개발부	2004.10.20			천세산업 주식회사 CHEON SEI IND. CO.,LTD.	