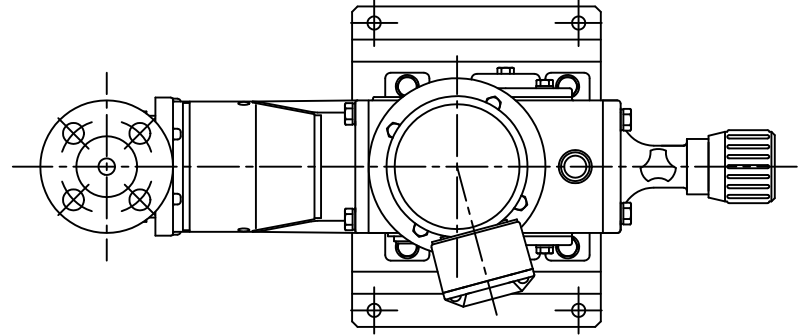
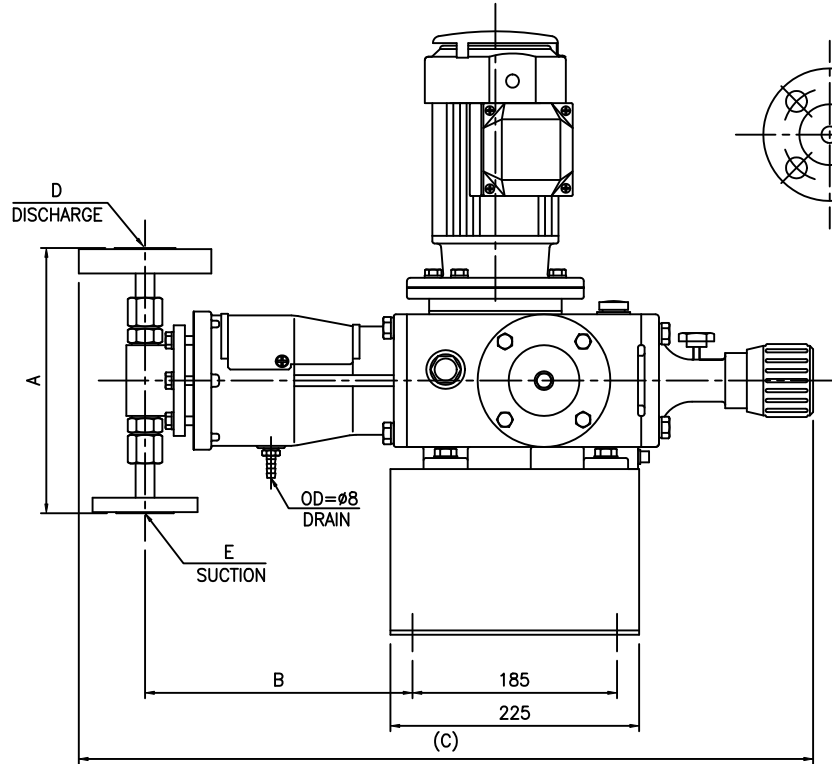
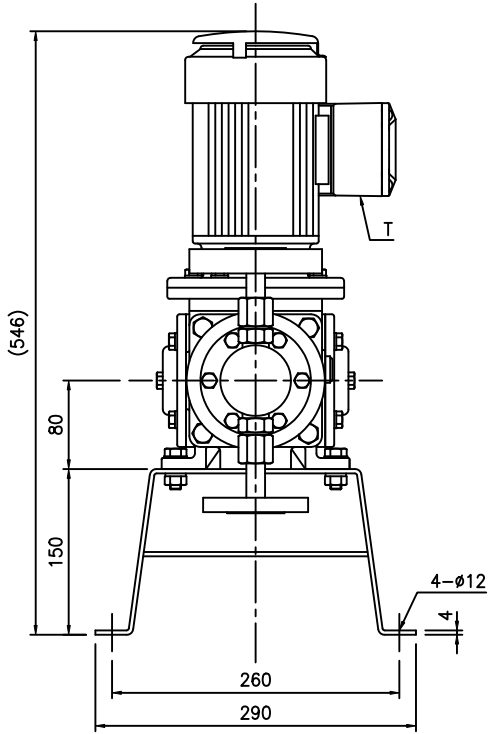


| MARK | REVISION DESCRIPTION | DATE | DRAWN | APPROVED |
|------|----------------------|------|-------|----------|
| △ | | | | |
| △ | | | | |

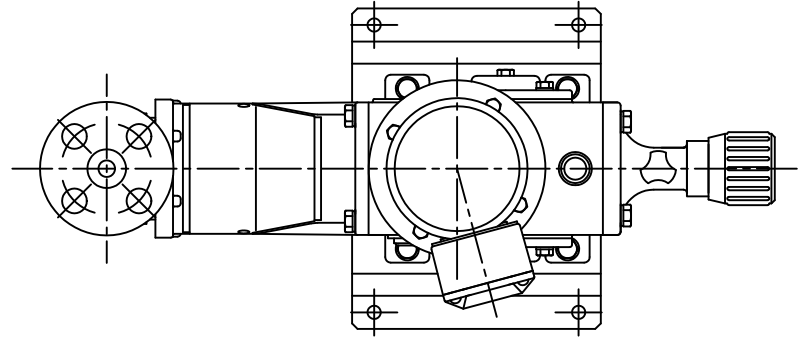
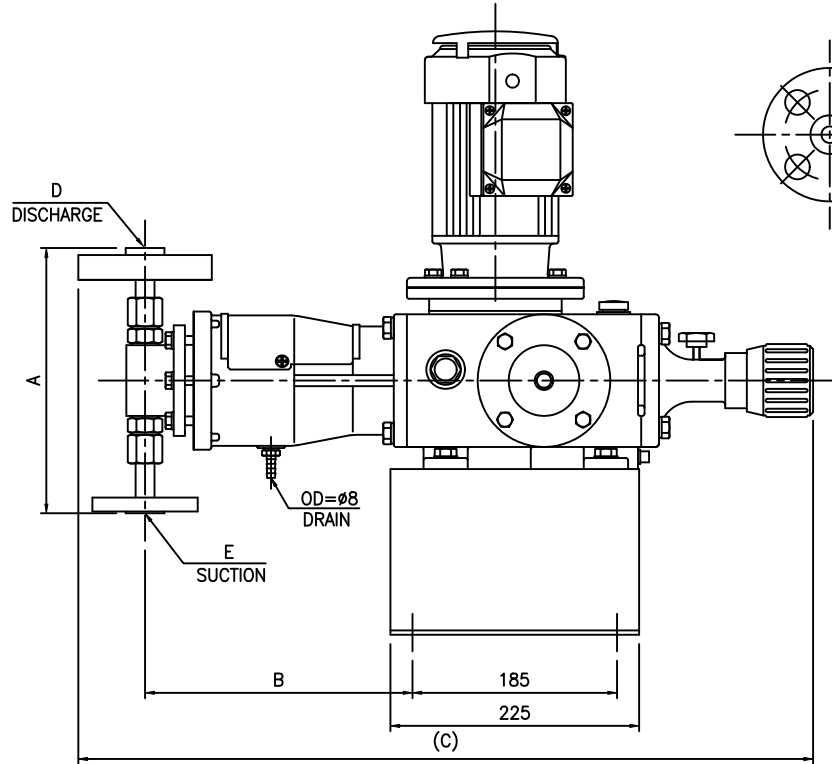
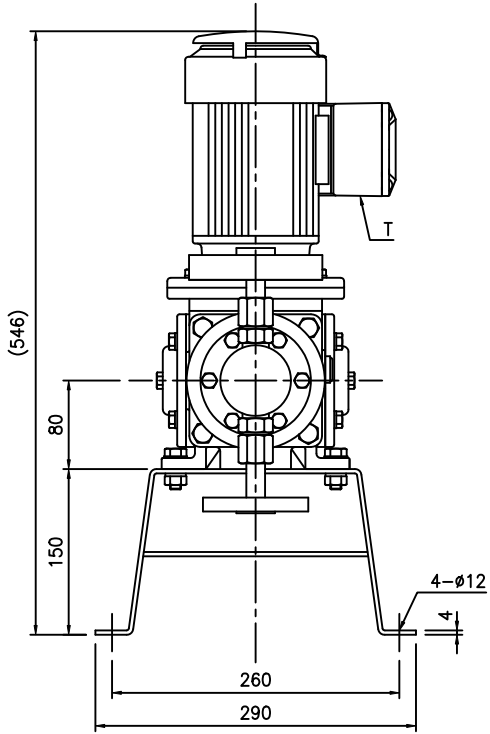


| DIMENSIONS (mm) | | | | | | |
|-----------------|-----|-----|-----|--------|--------|--------|
| PUMP MODEL | A | B | C | D | E | WEIGHT |
| KPV-161M-SF | 234 | 241 | 664 | KS63K | KS20K | 44 kg |
| KPV-162M-SF | | | | 15A RF | 15A RF | |
| KPV-221M-SF | 240 | 242 | 665 | KS63K | KS20K | 45 kg |
| KPV-222M-SF | | | | 15A RF | 15A RF | |

| TERMINAL BOX (T) | |
|------------------|--------|
| HUB SIZE | MAT'L |
| φ21 | ALDC12 |
| G3/4 | GC200 |
| G1 | GC200 |

| ITEM NO | NO. | DESCRIPTION | SIZE | MAT'L | Q'TY | REMARK |
|-------------|-----------|----------------|---|-----------------|----------|--------|
| | 제출 MAT'L | 소재지수 MAT'L DIM | 중량 WEIGHT | 척도 SCALE | N/S(0.2) | |
| | FILE NAME | PVSFS-05 | 도명 TITLE | OUTLINE DRAWING | | |
| | APPROVED | | KPV-161M~222M-SF PUMP | | | |
| | CHECKED | | 도번 DWG NO | 541105 △ | | |
| | DESIGNED | | | | | |
| 관련도면 | 적용품목 | DRAWN | | | | |
| STORAGE NO. | 작성부서 | DATE | 천세산업 주식회사 CHEON SEI IND. CO.,LTD. | | | |
| ORG.DWG | 연구개발부 | 2007.04.20 | | | | |

| MARK | REVISION DESCRIPTION | DATE | DRAWN | APPROVED |
|------|----------------------|------|-------|----------|
| △ | | | | |
| △ | | | | |

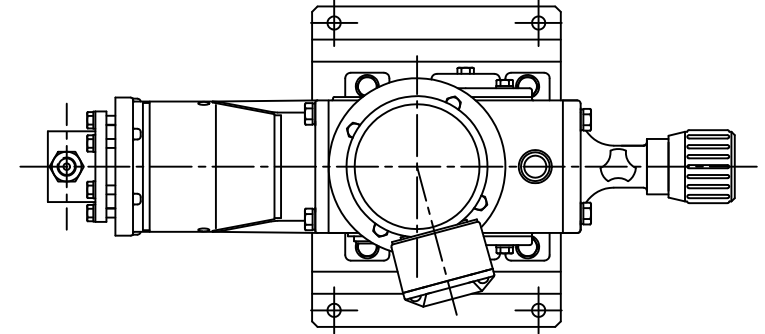
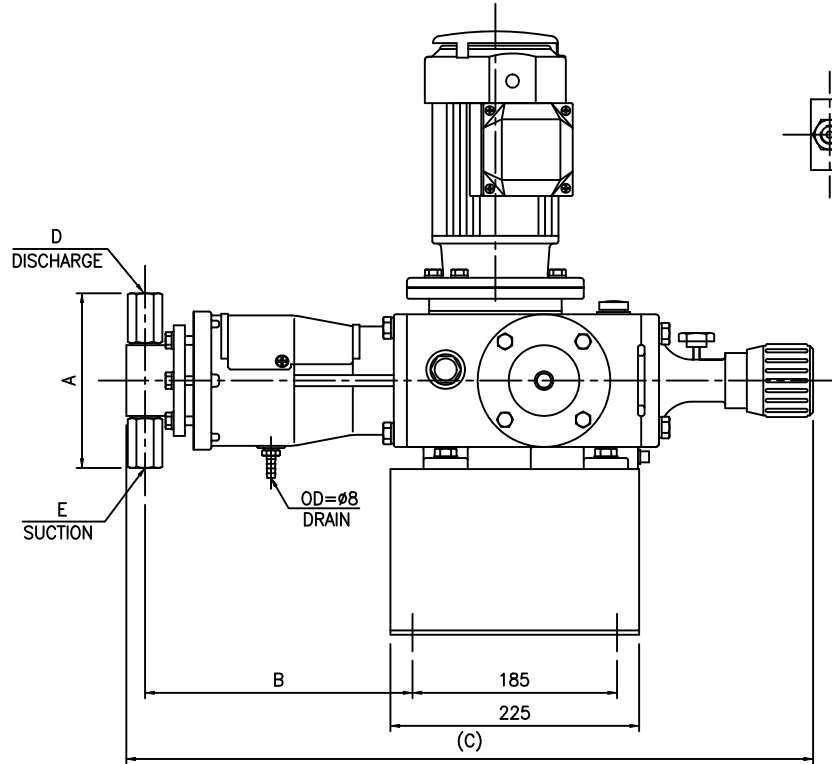
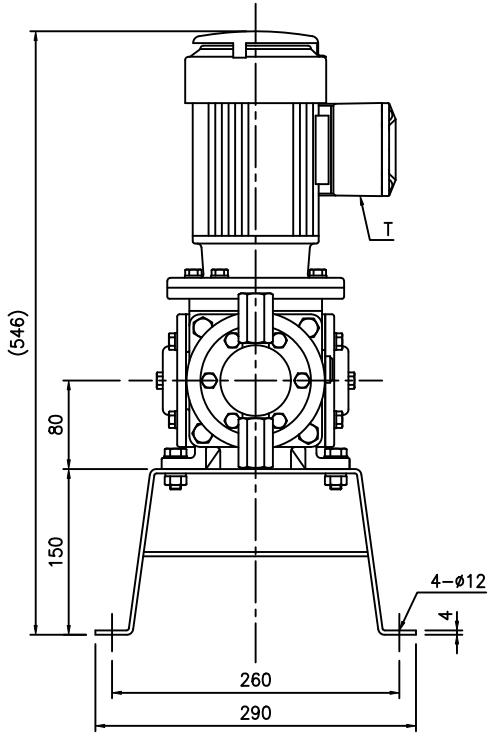


| DIMENSIONS (mm) | | | | | | |
|-----------------|-----|-----|-----|---------------------|---------------------|--------|
| PUMP MODEL | A | B | C | D | E | WEIGHT |
| KPV-161M-SF | 234 | 241 | 664 | ANSI900# 1/2" RF | ANSI300# 1/2" RF | 44 kg |
| KPV-162M-SF | | | | | | |
| KPV-221M-SF | 240 | 242 | 665 | ANSI900# 1/2" RF | ANSI300# 1/2" RF | 45 kg |
| KPV-222M-SF | | | | | | |

| TERMINAL BOX (T) | |
|------------------|--------|
| HUB SIZE | MAT'L |
| φ21 | ALDC12 |
| G3/4 | GC200 |
| G1 | GC200 |

| ITEM NO | NO. | DESCRIPTION | SIZE | MAT'L | Q'TY | REMARK |
|-------------|-----------|----------------|---|-----------------|----------|--------|
| | 재질 MAT'L | 소재지수 MAT'L DIM | 중량 WEIGHT | 척도 SCALE | N/S(0.2) | |
| | FILE NAME | PVSAS-05 | 도명TITLE | OUTLINE DRAWING | | |
| | APPROVED | | KPV-161M~222M-SF PUMP | | | |
| | CHECKED | | | 도번 DWG NO | 541115 | △ |
| | DESIGNED | | | | | |
| 관련도면 | 적용품목 | DRAWN | | | | |
| STORAGE NO. | 작성부서 | DATE | 천세산업 주식회사 CHEON SEI IND. CO.,LTD. | | | |
| ORG.DWG | 연구개발부 | 2007.04.20 | | | | |

| MARK | REVISION DESCRIPTION | DATE | DRAWN | APPROVED |
|------|----------------------|------|-------|----------|
| △ | | | | |
| △ | | | | |

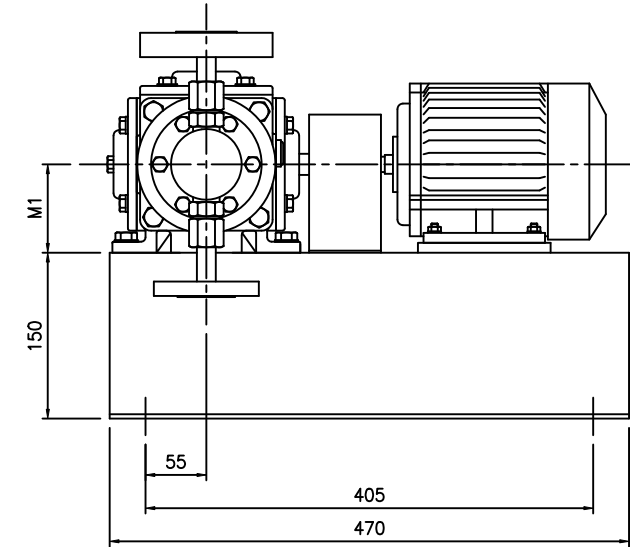
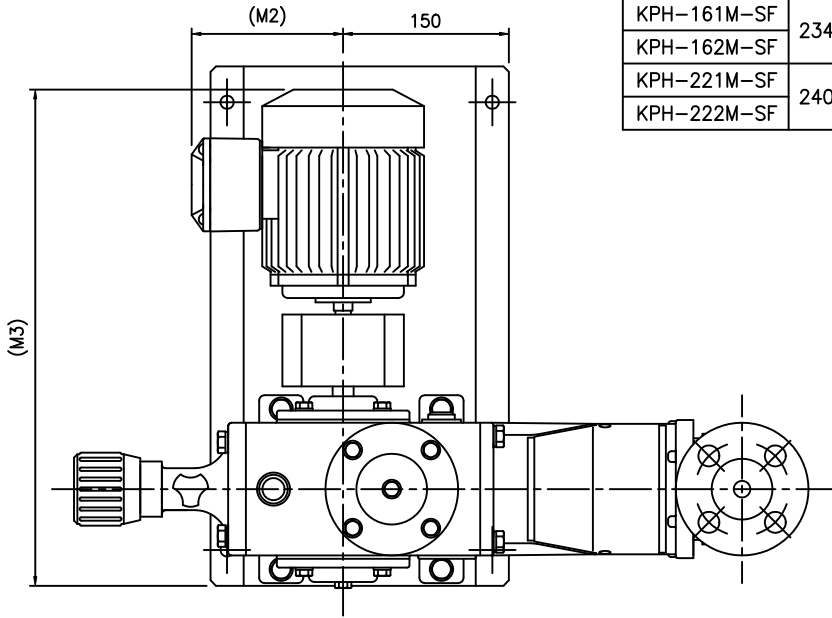


| DIMENSIONS (mm) | | | | | | |
|-----------------|-----|-----|-----|-------|-------|--------|
| PUMP MODEL | A | B | C | D | E | WEIGHT |
| KPV-061M-ST | 128 | 232 | 609 | Rc1/4 | Rc1/4 | 41 kg |
| KPV-062M-ST | 128 | 234 | 611 | Rc1/4 | Rc1/4 | 41 kg |
| KPV-121M-ST | 152 | 241 | 621 | Rc3/8 | Rc3/8 | 42 kg |
| KPV-122M-ST | 152 | 241 | 621 | Rc3/8 | Rc3/8 | 42 kg |
| KPV-161M-ST | 158 | 242 | 622 | Rc3/8 | Rc3/8 | 42 kg |
| KPV-162M-ST | 158 | 242 | 622 | Rc3/8 | Rc3/8 | 42 kg |
| KPV-221M-ST | | | | | | |
| KPV-222M-ST | | | | | | |

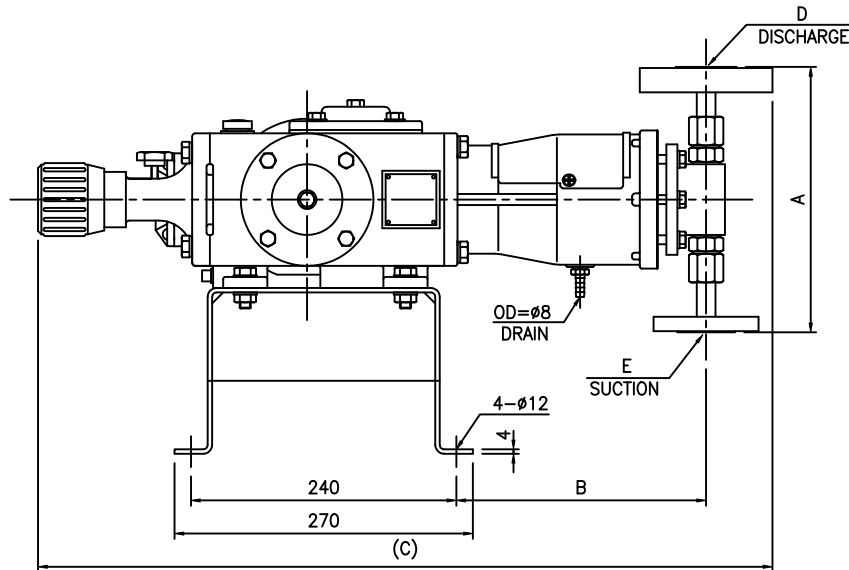
| TERMINAL BOX (T) | |
|------------------|--------|
| HUB SIZE | MAT'L |
| φ21 | ALDC12 |
| G3/4 | GC200 |
| G1 | GC200 |

| ITEM NO | NO. | DESCRIPTION | SIZE | MAT'L | Q'TY | REMARK |
|-------------|-----------|-------------|-----------------------|---|----------|----------|
| | | 제출 MAT'L | 소재지수 MAT'L DIM | 중량 WEIGHT | 척도 SCALE | N/S(0.2) |
| | FILE NAME | PVST5-05 | 도명 TITLE | OUTLINE DRAWING | | |
| | APPROVED | | KPV-061M~222M-ST PUMP | | | |
| | CHECKED | | 도번 DWG NO | 541205 △ | | |
| | DESIGNED | | | | | |
| 관련도면 | 적용품목 | DRAWN | | | | |
| STORAGE NO. | | 작성부서 | DATE | 천세산업 주식회사 CHEON SEI IND. CO.,LTD. | | |
| ORG.DWG | | 연구개발부 | 2007.04.20 | | | |

| DIMENSIONS (mm) | | | | | | |
|-----------------|-----|-----|-----|-----------------|-----------------|--------|
| PUMP MODEL | A | B | C | D | E | WEIGHT |
| KPH-161M-SF | 234 | 225 | 664 | KS63K 15A RF | KS20K 15A RF | 47 kg |
| KPH-162M-SF | | | | | | |
| KPH-221M-SF | 240 | 226 | 665 | KS63K 15A RF | KS20K 15A RF | 48 kg |
| KPH-222M-SF | | | | | | |



| DIMENSIONS (mm) | | | | |
|-----------------|----|-----|-----|--------|
| MOTOR FRAME | M1 | M2 | M3 | WEIGHT |
| 71(Std.) | 80 | 137 | 449 | - |
| 80 | 80 | 165 | 496 | +8 kg |
| 90 | 90 | 180 | 557 | +18 kg |



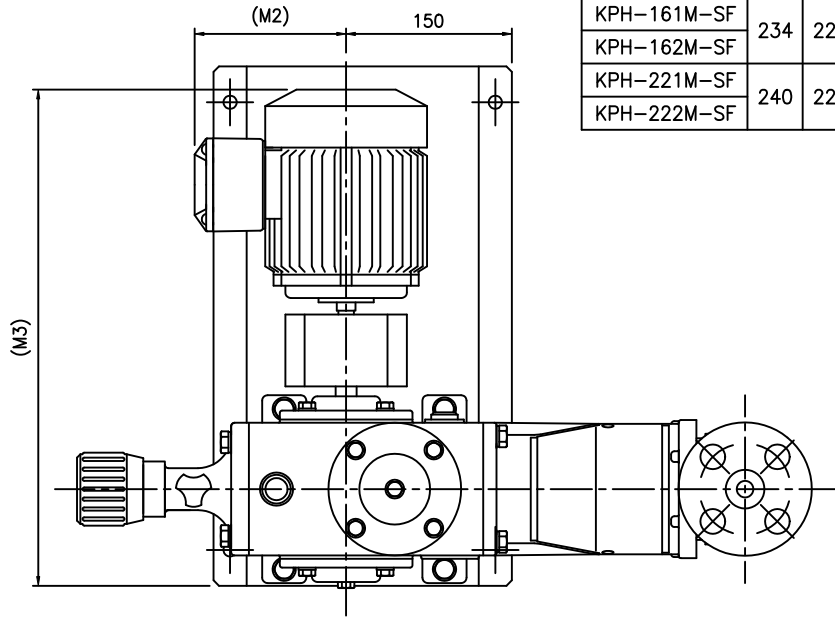
| TERMINAL BOX | |
|--------------|--------|
| HUB SIZE | MAT'L |
| ø21 | ALDC12 |
| G3/4 | GC200 |
| G1 | GC200 |

| MARK | REVISION DESCRIPTION | DATE | DRAWN | APPROVED |
|------|----------------------|------|-------|----------|
| △ | | | | |
| △ | | | | |

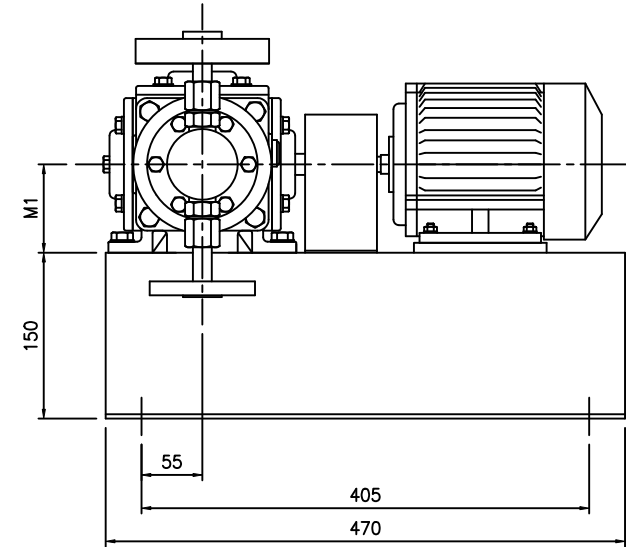
NOTE
1. 표준모터 프레임외의 치수 및 중량은 효성모터(TEFC) 기준으로 표기함.

| ITEM NO | NO. | DESCRIPTION | SIZE | MAT'L | Q'TY | REMARK |
|-------------|------|-------------|------------|-----------------------------------|------|--------|
| | | | | | | |
| | | FILE NAME | PHSFS-05 | 도명TITLE OUTLINE DRAWING | | |
| | | APPROVED | | KPH-161M~222M-SF PUMP | | |
| | | CHECKED | | 도번 DWG NO 542105 △ | | |
| | | DESIGNED | | | | |
| 관련도면 | 적용품목 | DRAWN | | | | |
| STORAGE NO. | | 작성부서 | DATE | 천세산업 주식회사 CHEON SEI IND. CO.,LTD. | | |
| ORG.DWG | | 연구개발부 | 2007.04.25 | | | |

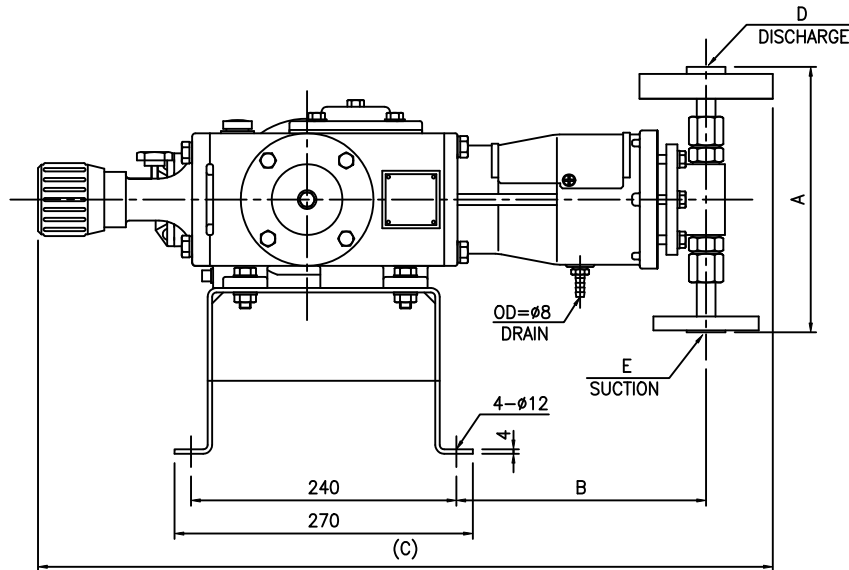
| DIMENSIONS (mm) | | | | | | |
|-----------------|-----|-----|-----|----------|----------|--------|
| PUMP MODEL | A | B | C | D | E | WEIGHT |
| KPH-161M-SF | 234 | 225 | 664 | ANSI900# | ANSI300# | 47 kg |
| KPH-162M-SF | | | | 1/2" RF | 1/2" RF | |
| KPH-221M-SF | 240 | 226 | 665 | ANSI900# | ANSI300# | 48 kg |
| KPH-222M-SF | | | | 1/2" RF | 1/2" RF | |



| MARK | REVISION DESCRIPTION | DATE | DRAWN | APPROVED |
|------|----------------------|------|-------|----------|
| △ | | | | |
| △ | | | | |



| DIMENSIONS (mm) | | | | |
|-----------------|----|-----|-----|--------|
| MOTOR FRAME | M1 | M2 | M3 | WEIGHT |
| 71(Std.) | 80 | 137 | 449 | - |
| 80 | 80 | 165 | 496 | +8 kg |
| 90 | 90 | 180 | 557 | +18 kg |

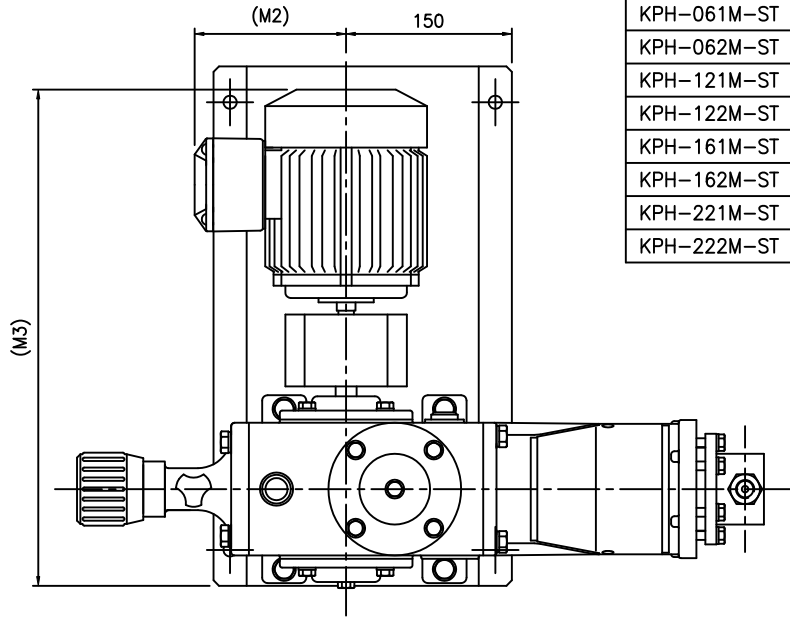


| TERMINAL BOX | |
|--------------|--------|
| HUB SIZE | MAT'L |
| ø21 | ALDC12 |
| G3/4 | GC200 |
| G1 | GC200 |

NOTE

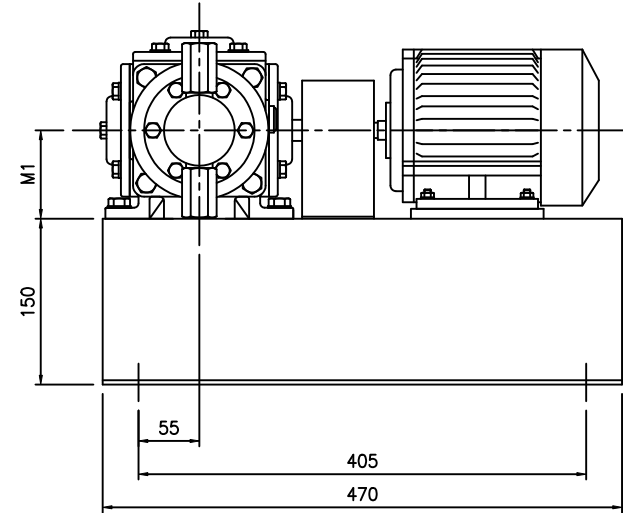
1. 표준모터 프레임외의 치수 및 중량은 효성모터(TEFC) 기준으로 표기함.

| ITEM NO | NO. | DESCRIPTION | SIZE | MAT'L | Q'TY | REMARK |
|-------------|------|-------------|------------|-------------------------|------|--------|
| | | | | | | |
| | | FILE NAME | PHSAS-05 | 도명TITLE | | |
| | | APPROVED | | OUTLINE DRAWING | | |
| | | CHECKED | | KPH-161M~222M-SF PUMP | | |
| | | DESIGNED | | 도번 DWG NO 542115 △ | | |
| 관련도면 | 적용품목 | DRAWN | | | | |
| STORAGE NO. | | 작성부서 | DATE | 천세산업 주식회사 | | |
| ORG.DWG | | 연구개발부 | 2007.04.25 | CHEON SEI IND. CO.,LTD. | | |

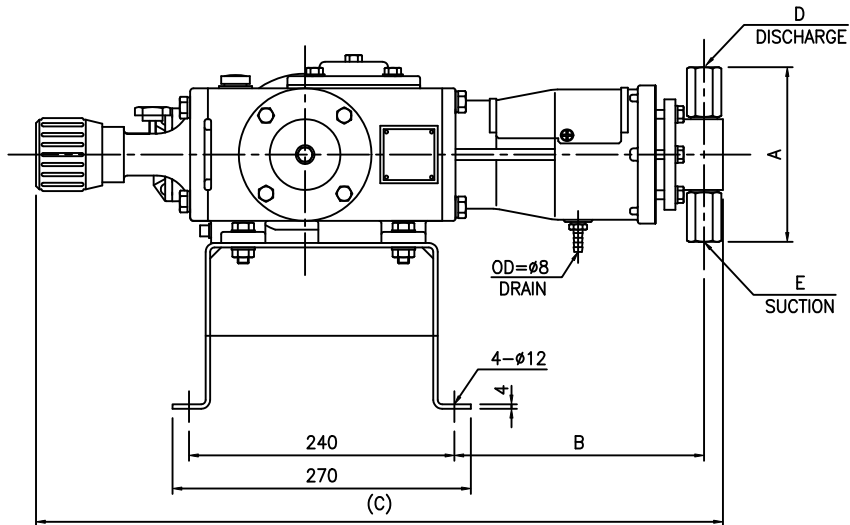


| DIMENSIONS (mm) | | | | | | |
|-----------------|-----|-----|-----|-------|-------|--------|
| PUMP MODEL | A | B | C | D | E | WEIGHT |
| KPH-061M-ST | 128 | 216 | 609 | Rc1/4 | Rc1/4 | 44 kg |
| KPH-062M-ST | 128 | 218 | 611 | Rc1/4 | Rc1/4 | 44 kg |
| KPH-121M-ST | 152 | 225 | 621 | Rc3/8 | Rc3/8 | 45 kg |
| KPH-122M-ST | 158 | 226 | 622 | Rc3/8 | Rc3/8 | 45 kg |

| MARK | REVISION DESCRIPTION | DATE | DRAWN | APPROVED |
|------|----------------------|------|-------|----------|
| △ | | | | |
| △ | | | | |



| DIMENSIONS (mm) | | | | |
|-----------------|----|-----|-----|--------|
| MOTOR FRAME | M1 | M2 | M3 | WEIGHT |
| 71(Std.) | 80 | 137 | 449 | - |
| 80 | 80 | 165 | 496 | +8 kg |
| 90 | 90 | 180 | 557 | +18 kg |



| TERMINAL BOX | |
|--------------|--------|
| HUB SIZE | MAT'L |
| ø21 | ALDC12 |
| G3/4 | GC200 |
| G1 | GC200 |

NOTE
1. 표준모터 프레임외의 치수 및 중량은 효성모터(TEFC) 기준으로 표기함.

| ITEM NO | NO. | DESCRIPTION | SIZE | MAT'L | Q'TY | REMARK |
|-------------|------|-------------|------------|-------------------------|------|--------|
| | | | | | | |
| | | FILE NAME | PHSTS-05 | 도명TITLE OUTLINE DRAWING | | |
| | | APPROVED | | KPH-061M~222M-ST PUMP | | |
| | | CHECKED | | 도번 DWG NO 542205 | | |
| | | DESIGNED | | △ | | |
| 관련도면 | 적용품목 | DRAWN | | | | |
| STORAGE NO. | | 작성부서 | DATE | 천세산업 주식회사 | | |
| ORG.DWG | | 연구개발부 | 2007.04.25 | CHEON SEI IND. CO.,LTD. | | |