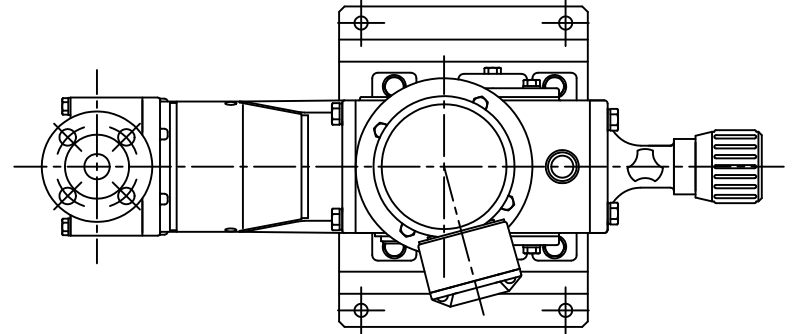
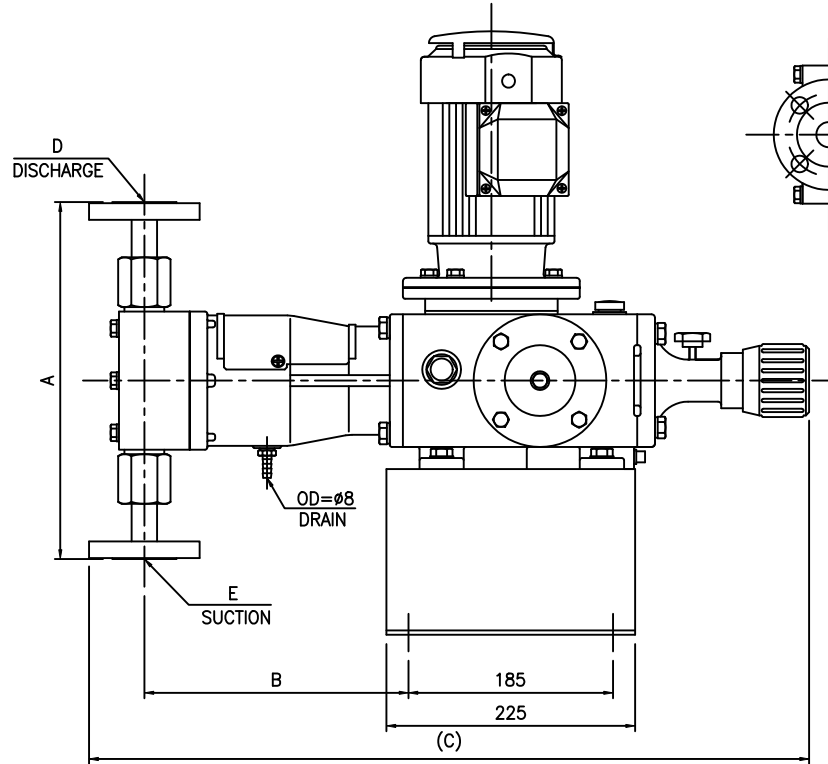
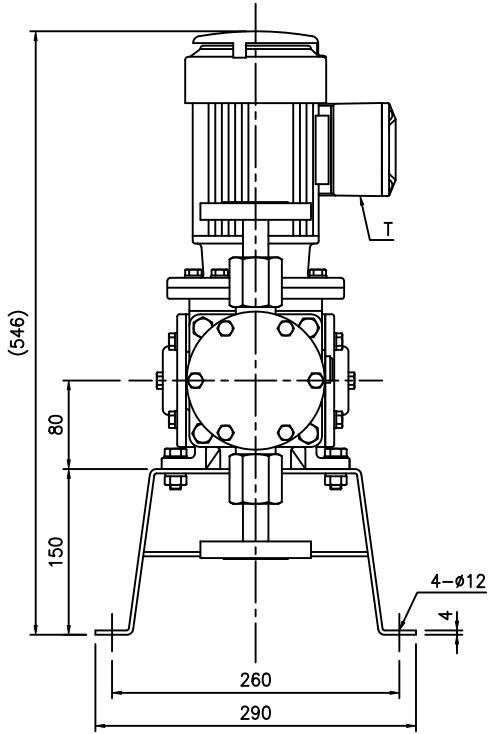


MARK	REVISION DESCRIPTION	DATE	DRAWN	APPROVED
△				
△				

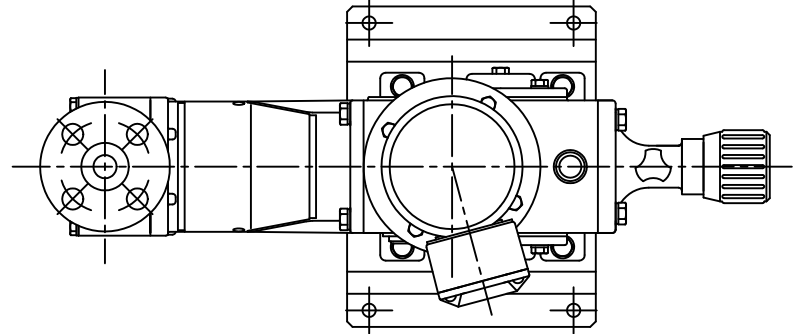
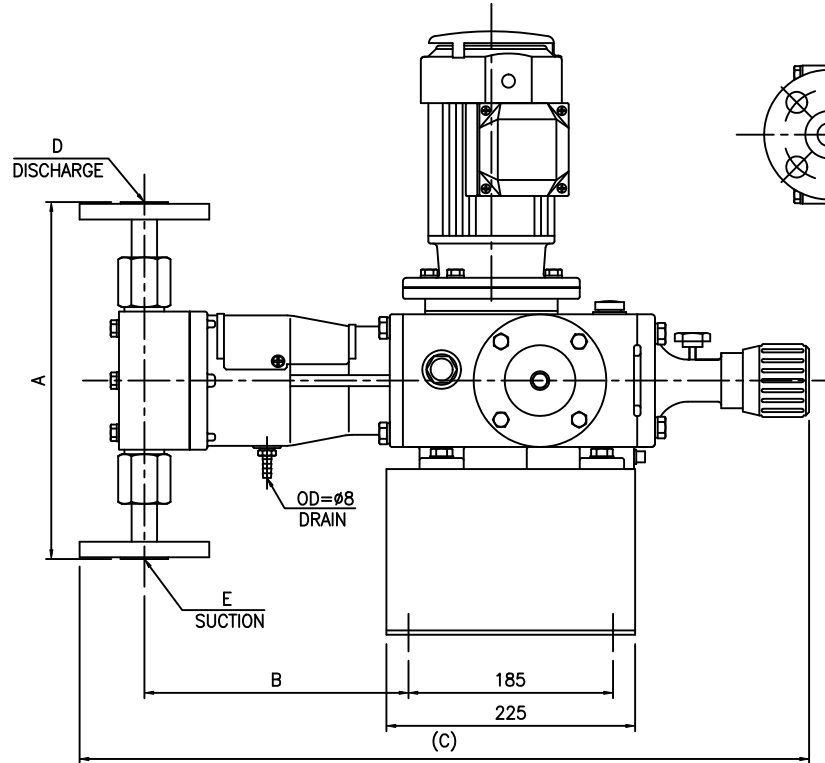
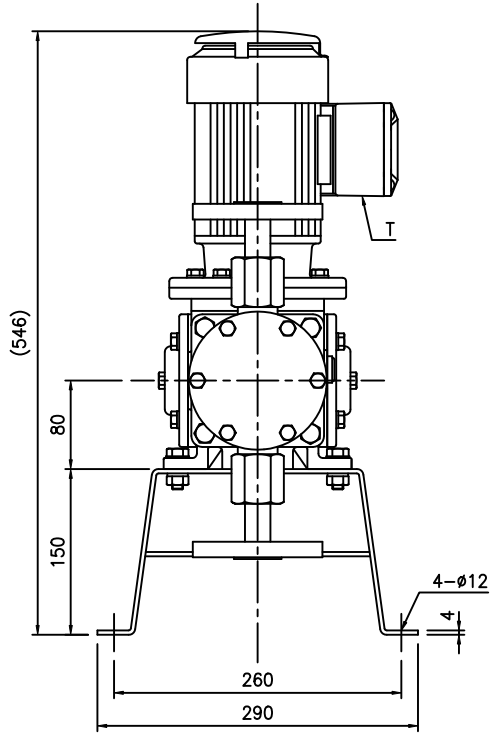


DIMENSIONS (mm)						
PUMP MODEL	A	B	C	D	E	WEIGHT
KPV-301M-SF	272	238	658	KS40K	KS20K	46 kg
KPV-302M-SF				15A RF	15A RF	
KPV-401M-SF	297	238	648	KS20K	KS20K	48 kg
KPV-402M-SF				15A RF	15A RF	
KPV-501M-SF	323	239	652	KS20K	KS20K	49 kg
KPV-502M-SF				20A RF	20A RF	

TERMINAL BOX (T)	
HUB SIZE	MAT'L
φ21	ALDC12
G3/4	GC200
G1	GC200

ITEM NO	NO.	DESCRIPTION	SIZE	MAT'L	Q'TY	REMARK
	재질 MAT'L	소재처수 MAT'L DIM	중량 WEIGHT	척도 SCALE	N/S(0.2)	
	FILE NAME	PVSFS-06	도명 TITLE	OUTLINE DRAWING		
	APPROVED		KPV-301M~502M-SF PUMP			
	CHECKED					
	DESIGNED					
관련도면	적용품목	DRAWN				
STORAGE NO.	작성부서	DATE				
ORG.DWG	연구개발부	2007.04.20				

MARK	REVISION DESCRIPTION	DATE	DRAWN	APPROVED
△				
△				

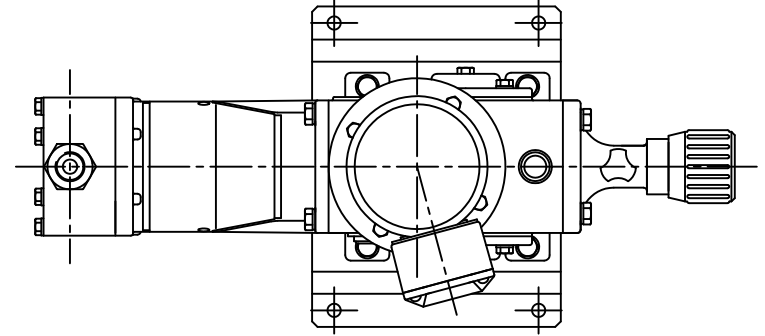
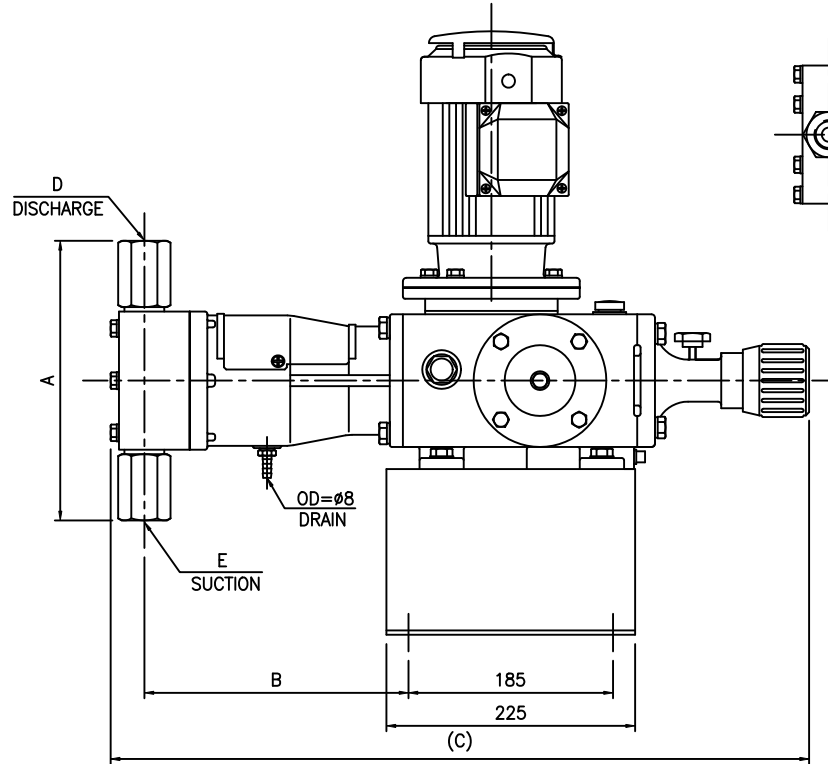
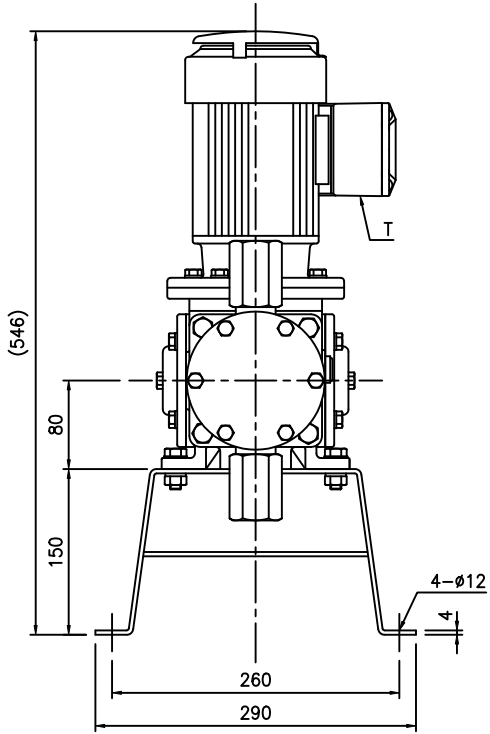


DIMENSIONS (mm)						
PUMP MODEL	A	B	C	D	E	WEIGHT
KPV-301M-SF	272	238	648	ANSI600#	ANSI300#	46 kg
KPV-302M-SF				1/2" RF	1/2" RF	
KPV-401M-SF	297	238	648	ANSI300#	ANSI300#	48 kg
KPV-402M-SF				1/2" RF	1/2" RF	
KPV-501M-SF	323	239	661	ANSI300#	ANSI300#	49 kg
KPV-502M-SF				3/4" RF	3/4" RF	

TERMINAL BOX (T)	
HUB SIZE	MAT'L
φ21	ALDC12
G3/4	GC200
G1	GC200

ITEM NO	NO.	DESCRIPTION	SIZE	MAT'L	Q'TY	REMARK
		제출 MAT'L	소재지수 MAT'L DIM	중량 WEIGHT	척도 SCALE	N/S(0.2)
	FILE NAME	PVSAS-06	도명 TITLE	OUTLINE DRAWING		
	APPROVED		KPV-301M~502M-SF PUMP			
	CHECKED		도번 DWG NO 541116 △			
	DESIGNED					
관련도면	적용품목	DRAWN				
STORAGE NO.		작성부서	DATE	천세산업 주식회사 CHEON SEI IND. CO.,LTD.		
ORG.DWG		연구개발부	2007.04.20			

MARK	REVISION DESCRIPTION	DATE	DRAWN	APPROVED
△				
△				

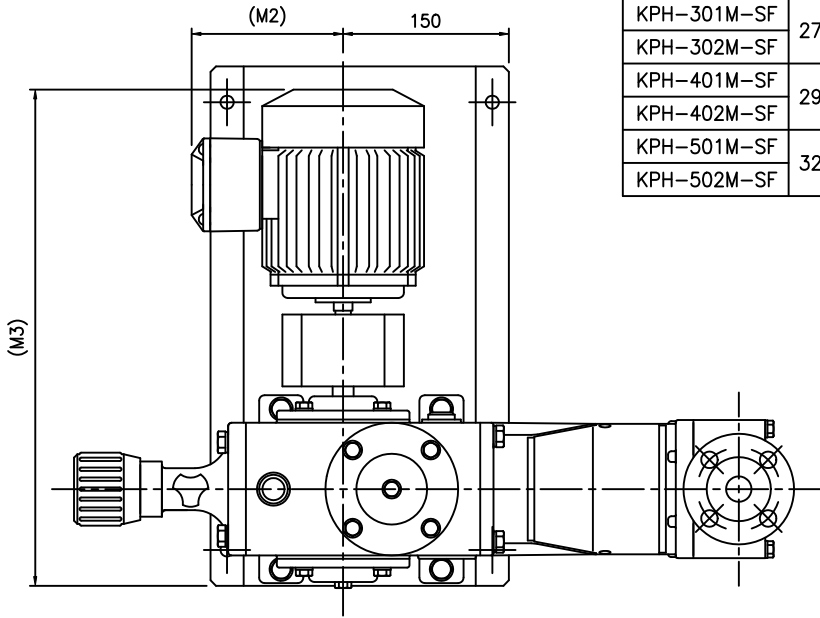


DIMENSIONS (mm)						
PUMP MODEL	A	B	C	D	E	WEIGHT
KPV-301M-ST	196	238	629	Rc1/2	Rc1/2	44 kg
KPV-302M-ST						
KPV-401M-ST	221	238	629	Rc1/2	Rc1/2	47 kg
KPV-402M-ST						
KPV-501M-ST	253	239	632	Rc3/4	Rc3/4	48 kg
KPV-502M-ST						

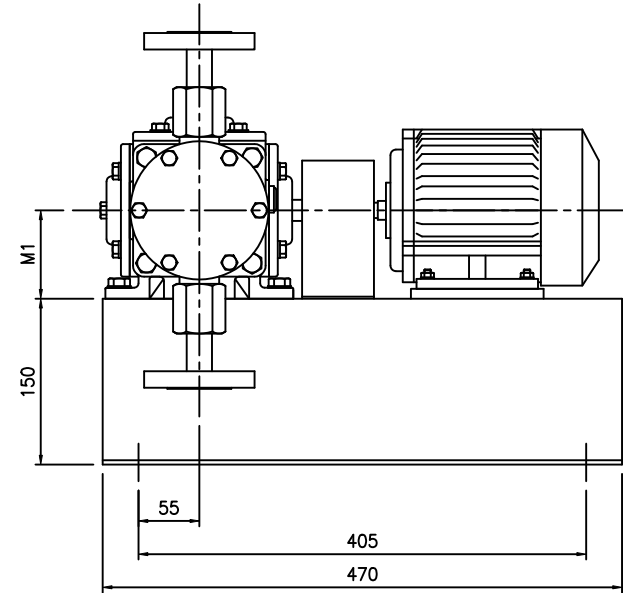
TERMINAL BOX (T)	
HUB SIZE	MAT'L
φ21	ALDC12
G3/4	GC200
G1	GC200

ITEM NO	NO.	DESCRIPTION	SIZE	MAT'L	Q'TY	REMARK
		제원 MAT'L	소재지수 MAT'L DIM	중량 WEIGHT	척도 SCALE	N/S(0.2)
	FILE NAME	PVSTS-06	도명 TITLE	OUTLINE DRAWING		
	APPROVED		KPV-301M~502M-ST PUMP			
	CHECKED		도번 DWG NO	541206 △		
	DESIGNED					
관련도면	적용품목	DRAWN				
STORAGE NO.	작성부서	DATE	천세산업 주식회사 CHEON SEI IND. CO.,LTD.			
ORG.DWG	연구개발부	2007.04.20				

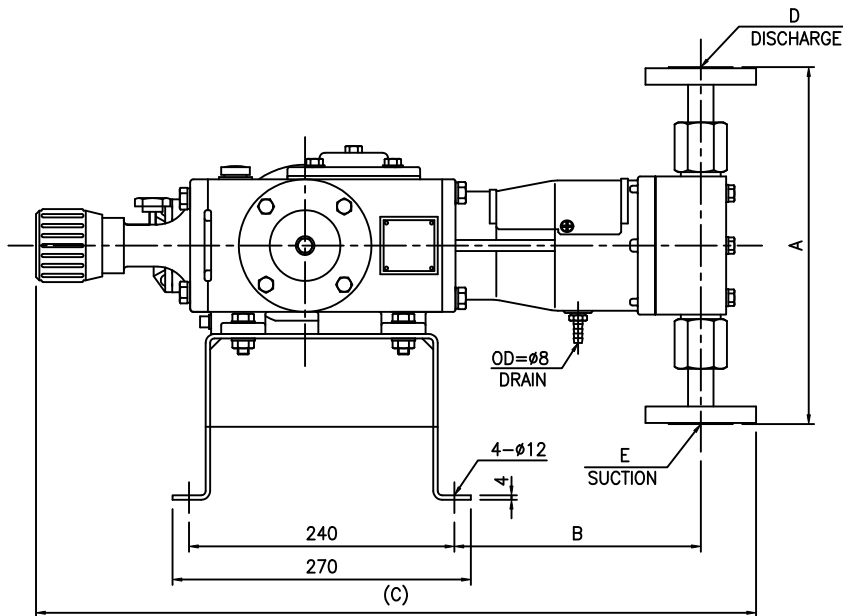
DIMENSIONS (mm)						
PUMP MODEL	A	B	C	D	E	WEIGHT
KPH-301M-SF	272	222	658	KS40K 15A RF	KS20K 15A RF	49 kg
KPH-302M-SF						
KPH-401M-SF	297	222	648	KS20K 15A RF	KS20K 15A RF	51 kg
KPH-402M-SF						
KPH-501M-SF	323	223	652	KS20K 20A RF	KS20K 20A RF	52 kg
KPH-502M-SF						



MARK	REVISION DESCRIPTION	DATE	DRAWN	APPROVED
△				
△				



DIMENSIONS (mm)				
MOTOR FRAME	M1	M2	M3	WEIGHT
71(Std.)	80	137	449	-
80	80	165	496	+8 kg
90	90	180	557	+18 kg

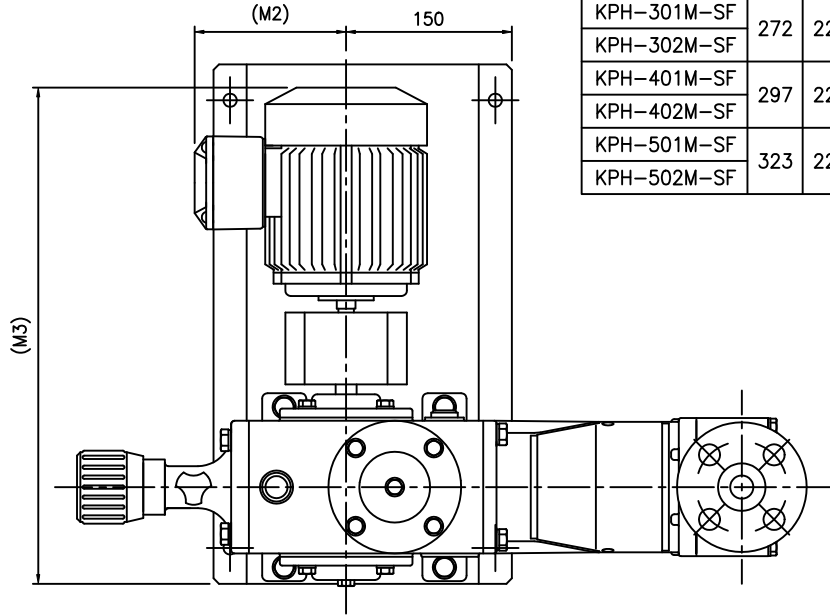


TERMINAL BOX	
HUB SIZE	MAT'L
ø21	ALDC12
G3/4	GC200
G1	GC200

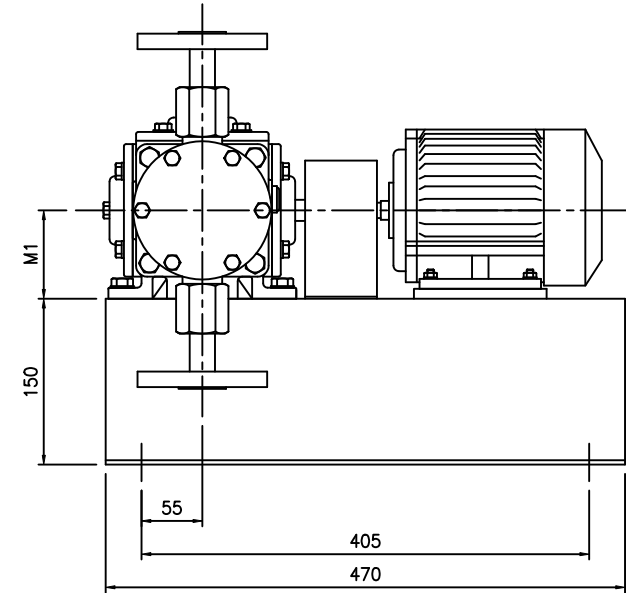
NOTE
1. 표준모터 프레임외의 치수 및 중량은 효성모터(TEFC) 기준으로 표기함.

ITEM NO	NO.	DESCRIPTION	SIZE	MAT'L	Q'TY	REMARK
		FILE NAME	PHSFS-06	도명TITLE OUTLINE DRAWING		
		APPROVED		KPH-301M~502M-SF PUMP		
		CHECKED		도번 DWG NO 542106 △		
		DESIGNED				
관련도면	적용품목	DRAWN				
STORAGE NO.		작성부서	DATE	천세산업 주식회사 CHEON SEI IND. CO.,LTD.		
ORG.DWG		연구개발부	2007.04.25			

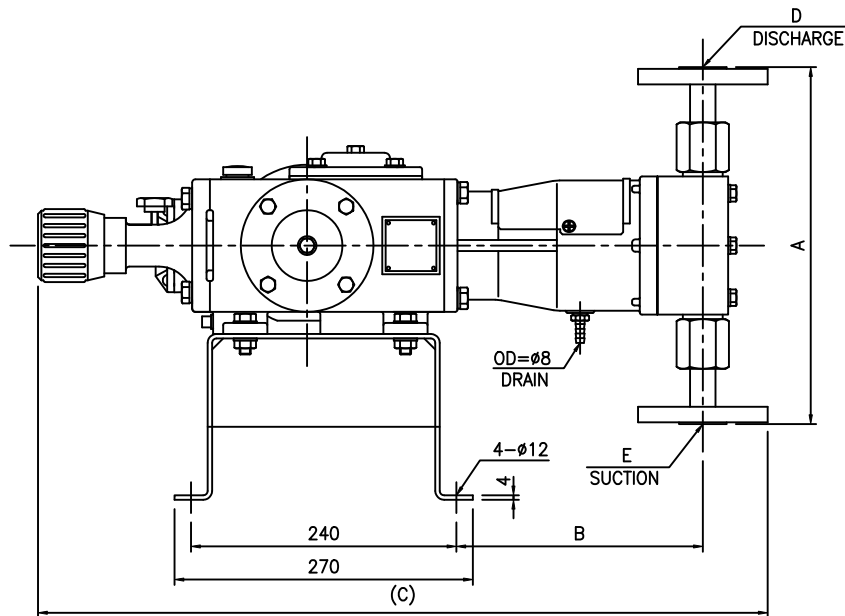
DIMENSIONS (mm)						
PUMP MODEL	A	B	C	D	E	WEIGHT
KPH-301M-SF	272	222	648	ANSI600# 1/2" RF	ANSI300# 1/2" RF	49 kg
KPH-302M-SF						
KPH-401M-SF	297	222	648	ANSI300# 1/2" RF	ANSI300# 1/2" RF	51 kg
KPH-402M-SF						
KPH-501M-SF	323	223	661	ANSI300# 3/4" RF	ANSI300# 3/4" RF	52 kg
KPH-502M-SF						



MARK	REVISION DESCRIPTION	DATE	DRAWN	APPROVED
△				
△				



DIMENSIONS (mm)				
MOTOR FRAME	M1	M2	M3	WEIGHT
71(Std.)	80	137	449	-
80	80	165	496	+8 kg
90	90	180	557	+18 kg

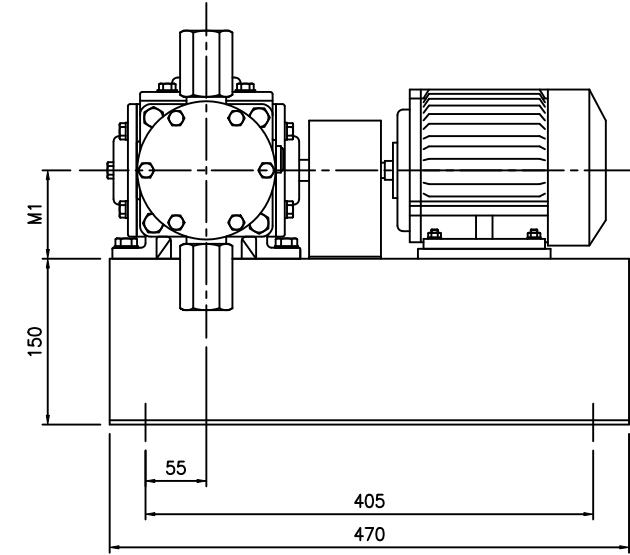
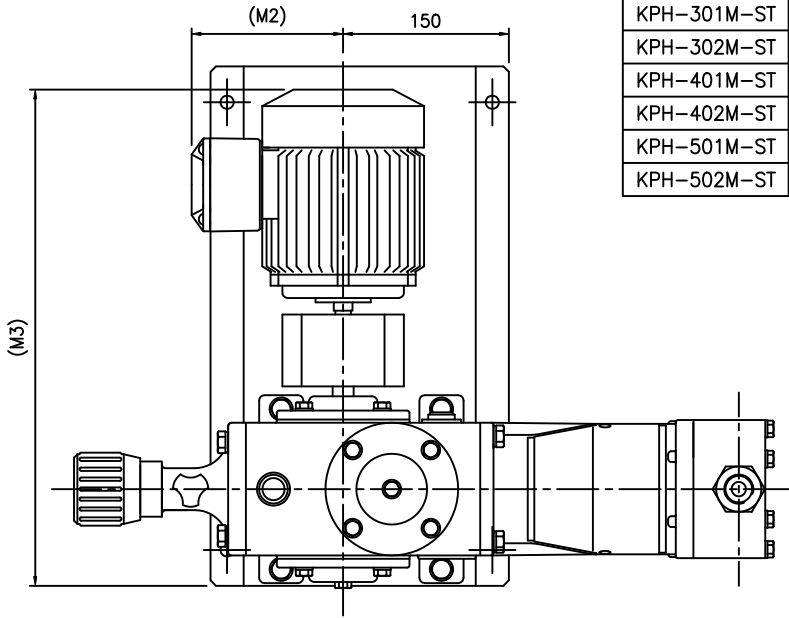


NOTE
1. 표준모터 프레임외의 치수 및 중량은 효성모터(TEFC) 기준으로 표기함.

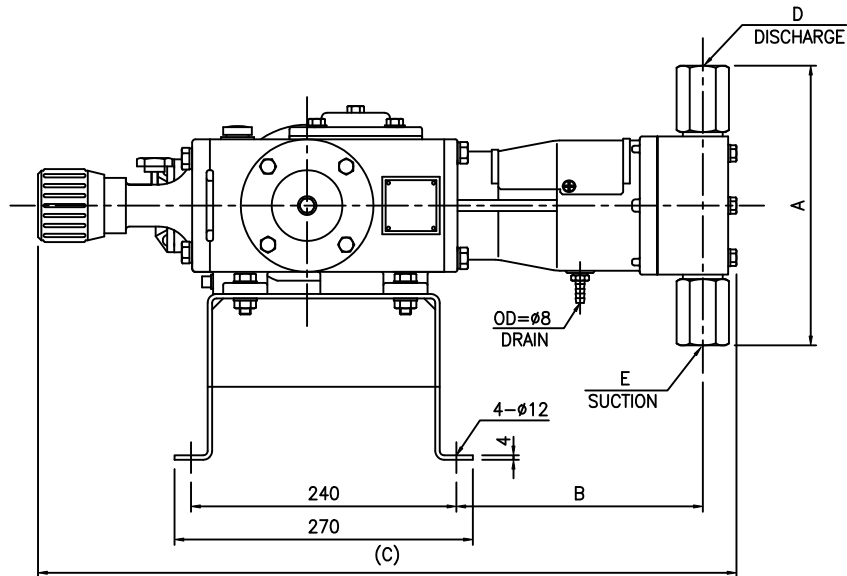
TERMINAL BOX	
HUB SIZE	MAT'L
ø21	ALDC12
G3/4	GC200
G1	GC200

ITEM NO	NO.	DESCRIPTION	SIZE	MAT'L	Q'TY	REMARK
	제출 MAT'L	소재지수 MAT'L DIM	중량 WEIGHT	척도 SCALE	N/S(0.2)	
	FILE NAME	PHSAS-06	도명TITLE	OUTLINE DRAWING		
	APPROVED		KPH-301M~502M-SF PUMP			
	CHECKED					
	DESIGNED		도번 DWG NO 542116 △			
관련도면	적용품목	DRAWN				
STORAGE NO.	작성부서	DATE	천세산업 주식회사			
ORG.DWG	연구개발부	2007.04.25	CHEON SEI IND. CO.,LTD.			

DIMENSIONS (mm)						
PUMP MODEL	A	B	C	D	E	WEIGHT
KPH-301M-ST	196	222	629	Rc1/2	Rc1/2	47 kg
KPH-302M-ST						
KPH-401M-ST	221	222	629	Rc1/2	Rc1/2	50 kg
KPH-402M-ST						
KPH-501M-ST	253	223	632	Rc3/4	Rc3/4	51 kg
KPH-502M-ST						



DIMENSIONS (mm)				
MOTOR FRAME	M1	M2	M3	WEIGHT
71(Std.)	80	137	449	-
80	80	165	496	+8 kg
90	90	180	557	+18 kg



TERMINAL BOX	
HUB SIZE	MAT'L
ø21	ALDC12
G3/4	GC200
G1	GC200

MARK	REVISION DESCRIPTION	DATE	DRAWN	APPROVED
△				
△				

NOTE
1. 표준모터 프레임외의 치수 및 중량은 효성모터(TEFC) 기준으로 표기함.

ITEM NO	NO.	DESCRIPTION	SIZE	MAT'L	Q'TY	REMARK
		FILE NAME	PHSTS-06	도명TITLE OUTLINE DRAWING		
		APPROVED		KPH-301M~502M-ST PUMP		
		CHECKED		도번 DWG NO 542206 △		
		DESIGNED				
관련도면	적용품목	DRAWN				
STORAGE NO.		작성부서	DATE	천세산업 주식회사 CHEON SEI IND. CO.,LTD.		
ORG.DWG		연구개발부	2007.04.25			