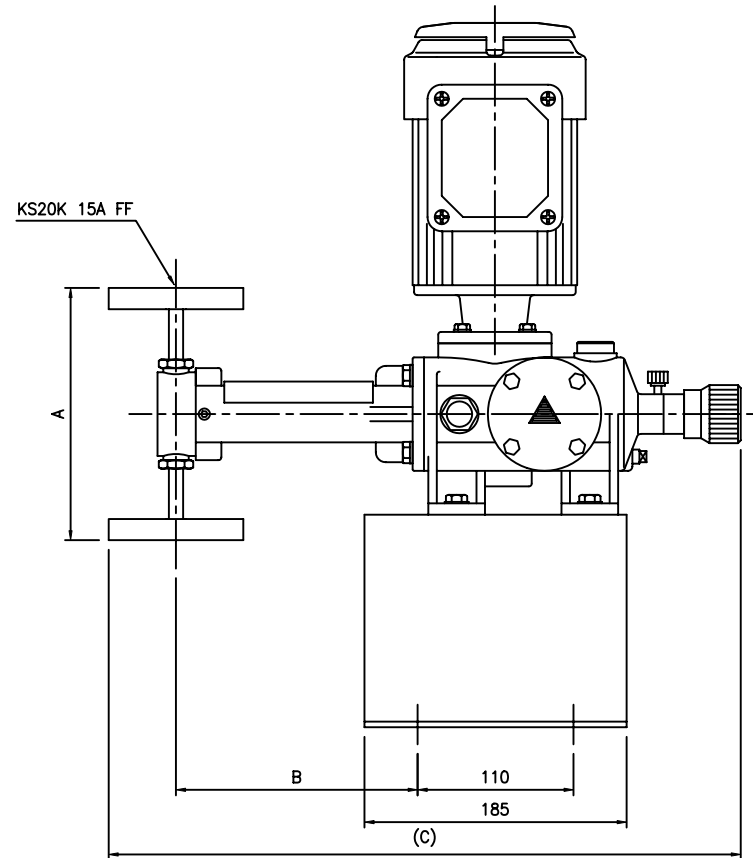
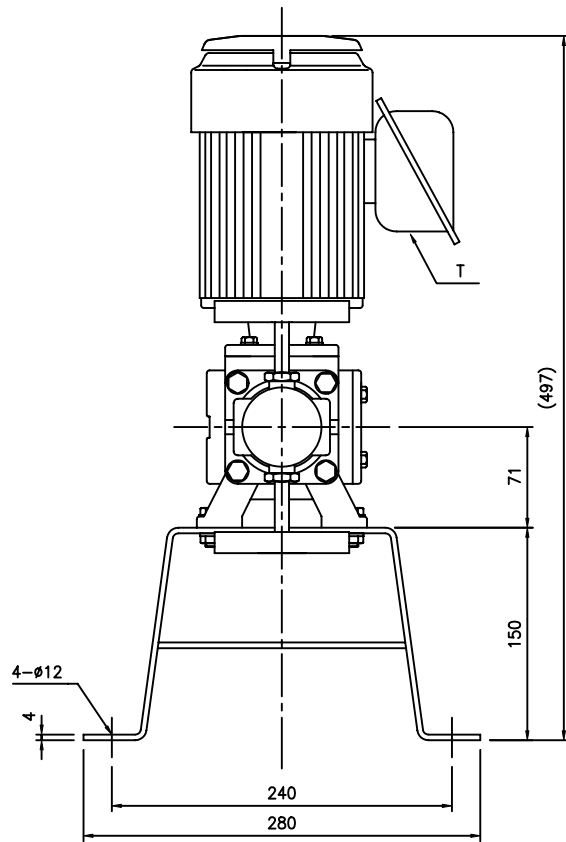


MARK	REVISION DESCRIPTION	DATE	DRAWN	APPROVED
△				
△				
△				



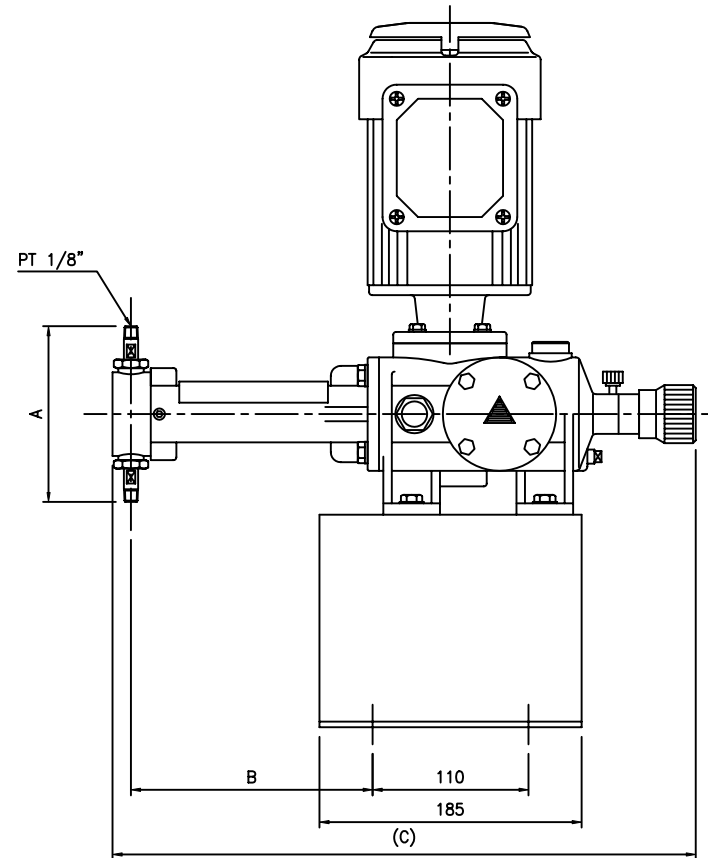
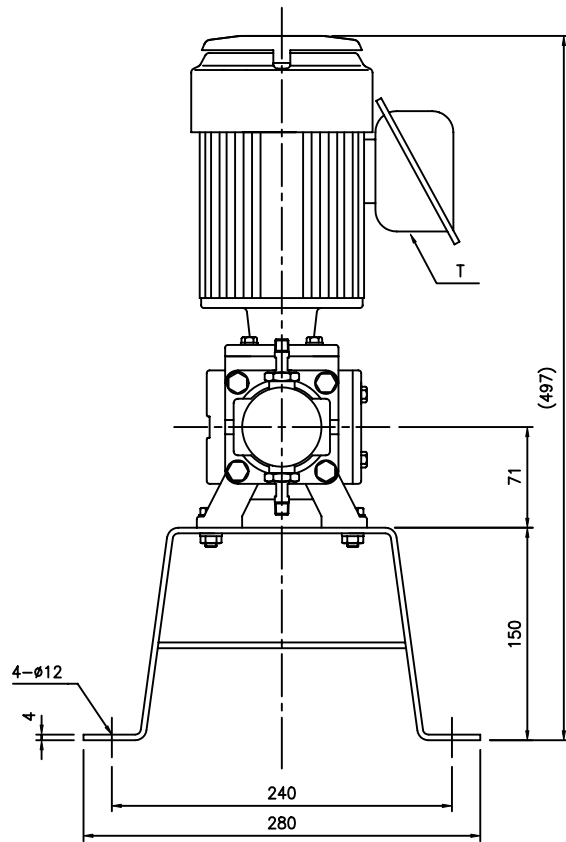
DIMENSIONS			
MODEL	A	B	C
KPV-11	178	171	446
KPV-12			
KPV-21	183	171	446
KPV-22			

TERMINAL BOX (T)	
HUB SIZE	MAT'L
ø28	SPCC
PF 3/4"	GC200
PF 1"	GC200

PUMP SPECIFICATIONS (50Hz/60Hz)				
PUMP MODEL	KPV-11	KPV-12	KPV-21	KPV-22
MAXIMUM CAPACITY (ml/min)	7.5 / 9	15 / 18	42 / 50	84 / 100
MAX.DIS.PRESSURE (kgf/cm ² G)	50	50	50	50
STROKE PER MINUTE (SPM)	48 / 58	96 / 116	48 / 58	96 / 116
ROTATION (MOTOR FAN)	CLOCKWISE			
POWER (kW)	0.2			
APPROX.WEIGHT (kg)	18.5			

ITEM NO	NO.	DESCRIPTION	SIZE	MAT'L	Q'TY	REMARK
		FILE NAME	PVSFS-01	도명TITLE	OUTLINE DRAWING	
		APPROVED		KPV-11~22 PUMP(FLANGE TYPE)		
		CHECKED		도번 DWG NO 541101		
		DESIGNED				
		DRAWN				
STORAGE NO.		작성부서	DATE			
ORG.DWG		연구개발부	2005.03.10			

MARK	REVISION DESCRIPTION	DATE	DRAWN	APPROVED
△				
△				
△				



DIMENSIONS			
MODEL	A	B	C
KPV-11	124	171	412
KPV-12			
KPV-21	129	171	415
KPV-22			

TERMINAL BOX (T)	
HUB SIZE	MAT'L
ø28	SPCC
PF 3/4"	GC200
PF 1"	GC200

PUMP SPECIFICATIONS (50Hz/60Hz)				
PUMP MODEL	KPV-11	KPV-12	KPV-21	KPV-22
MAXIMUM CAPACITY (ml/min)	7.5 / 9	15 / 18	42 / 50	84 / 100
MAX.DIS.PRESSURE (kgf/cm ² G)	50	50	50	50
STROKE PER MINUTE (SPM)	48 / 58	96 / 116	48 / 58	96 / 116
ROTATION (MOTOR FAN)	CLOCKWISE			
POWER (kW)	0.2			
APPROX.WEIGHT (kg)	17			

ITEM NO	NO.	DESCRIPTION	SIZE	MAT'L	Q'TY	REMARK
		소재 MAT'L	소재치수 MAT'L DIM	중량 WEIGHT	척도 SCALE	N/S(0.25)
		FILE NAME	PVSTS-01	도명TITLE	OUTLINE DRAWING	
		APPROVED		KPV-11~22 PUMP(THREAD TYPE)		
		CHECKED		도번 DWG NO	541201	
		DESIGNED				
관련도면		적용품목		DRAWN		
STORAGE NO.		작성부서	DATE			
ORG.DWG		연구개발부	2005.03.10			